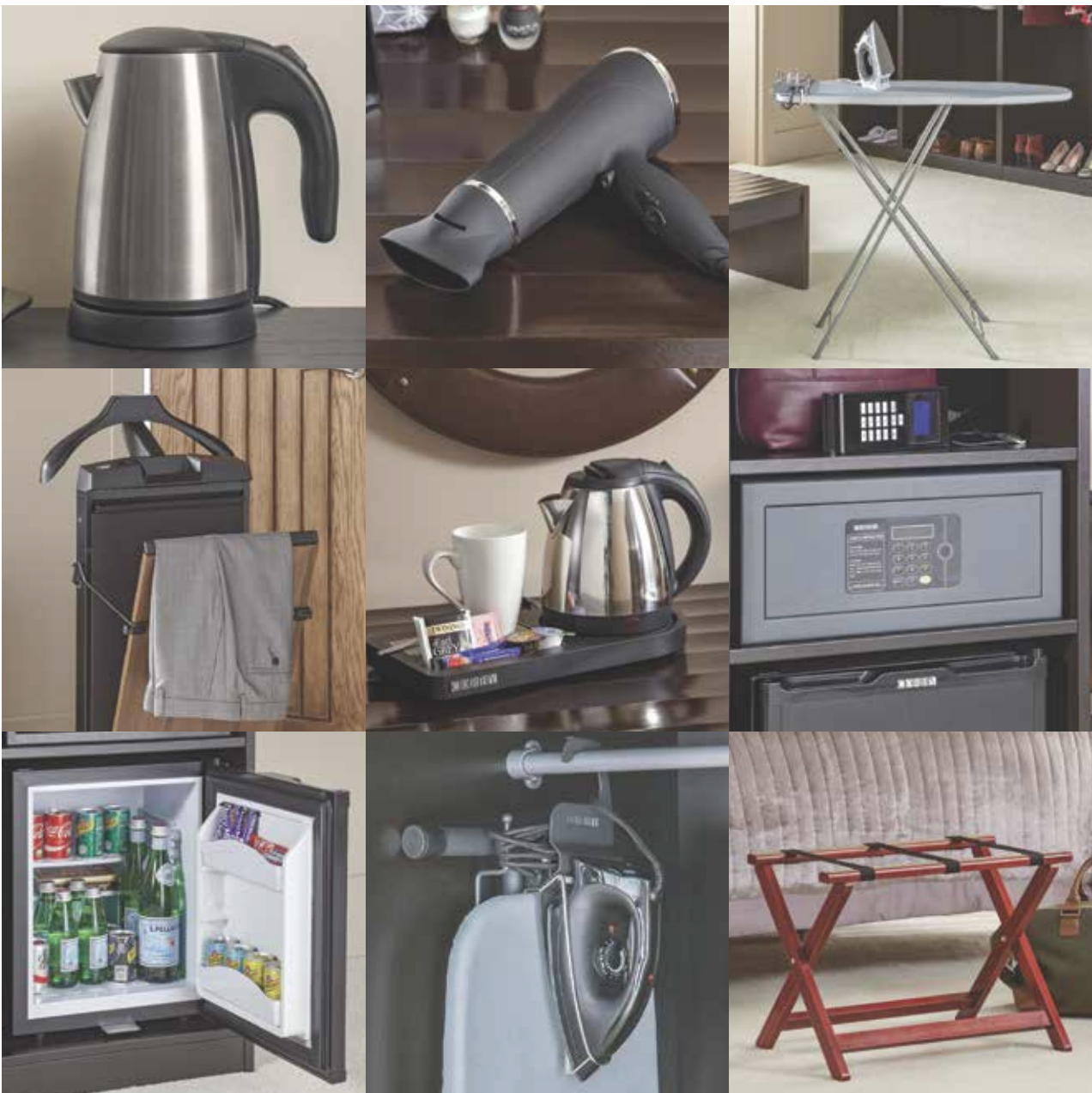


HOSPITALITY COLLECTION

DESIGNED EXCLUSIVELY FOR THE HOTEL INDUSTRY



CELEBRATING 85 YEARS OF EXCELLENCE



RELAX, IT'S COVERED.

3 YEAR 
ELECTRICAL
GUARANTEE

LOOK OUT FOR THE SYMBOL TO TAKE
ADVANTAGE OF THIS OFFER

Terms and Conditions Apply: 3 Year Electrical Guarantee applies to all mains operated electrical items only, this covers failure due to electrical defects and does not cover wear and tear due to excessive use. The 3 Year Electrical Guarantee is applied automatically at purchase, no sign up required. For the full list of Terms and Conditions please visit www.corbyofwindsor.com

CORBY
OF WINDSOR

Features

04 64 Countries, 6 Continents, 1 Unique Service

We offer a comprehensive collection of services through our global supply chain. Read about the structure of our worldwide network to find out exactly how we deliver our outstanding service.

06 Did you know?

Corby of Windsor operates in over 64 countries across 6 continents, and is fluent in 7 languages. Learn more about the facts and figures that define our unique and diverse brand.

07 The Corby Team

Knowledge and experience are the core principles upon which the Corby of Windsor name is built, and our expert team represents the epitome of these distinct characteristics. Learn more about the values we pride ourselves on and the personnel that embody them.

63 Corby. A Culture of Excellence

Not just another importer, Corby offers a complete service from design to export.

64 Buying from us

We hold ourselves to a higher standard of business practices. See how our values enable our customers to thrive.

Products

08 Ironing and Garment Care

08 - 13 Ironing centres & boards
14 - 15 Irons
16 - 17 Iron Accessories

18 Hospitality Trays

18 - 24 Integrated trays
25 - 31 Non-integrated trays
32 - 35 Kettles

36 Electricals

36 - 39 Hand-held hair dryers
40 - 41 Anti-theft hair dryers
42 Hair dryer accessories
43 - 45 Minibars
46 Safes
47 Torches

48 Bedroom Accessories

48 - 50 Bins
51 - 52 Tissue holders
53 Hangers
54 - 55 Luggage racks

56 Bathroom Accessories

56 Mirrors
57 Hygiene bag dispensers
58 Toilet brushes
58 Bathroom mats
59 Clothes lines
59 Bathroom Scales

60 Trouser Presses

60 - 62 Trouser presses

General Contact

For all enquiries please contact:
Tel: +44 (0) 3300 882 064
Email: trade@corbyofwindsor.com

Head Office

Fired Up Buildings
St Thomas' Road
Huddersfield
United Kingdom
HD1 3LF

Website

To view the complete range of Corby products visit:
www.corbyofwindsor.com/hospitality

Social Media

Facebook:
facebook.com/corbyofwindsor
Twitter:
twitter.com/corbyofwindsor

Marketing

For all marketing enquiries please email:
marketing@corbyofwindsor.com

Partners & Distributors

Corby of Windsor uses a select network of distributors to service specific territories. To find your nearest distributor contact:
Tel: +44 (0) 3300 882 064
Email: trade@corbyofwindsor.com

Information correct at date of publication. Corby of Windsor reserves the right to update or modify product without any prior notice.

Multi-lingual versions of this brochure are available on request.

Corby of Windsor is part of the Fired Up Corporation, for more information visit:
www.firedupcorporation.com

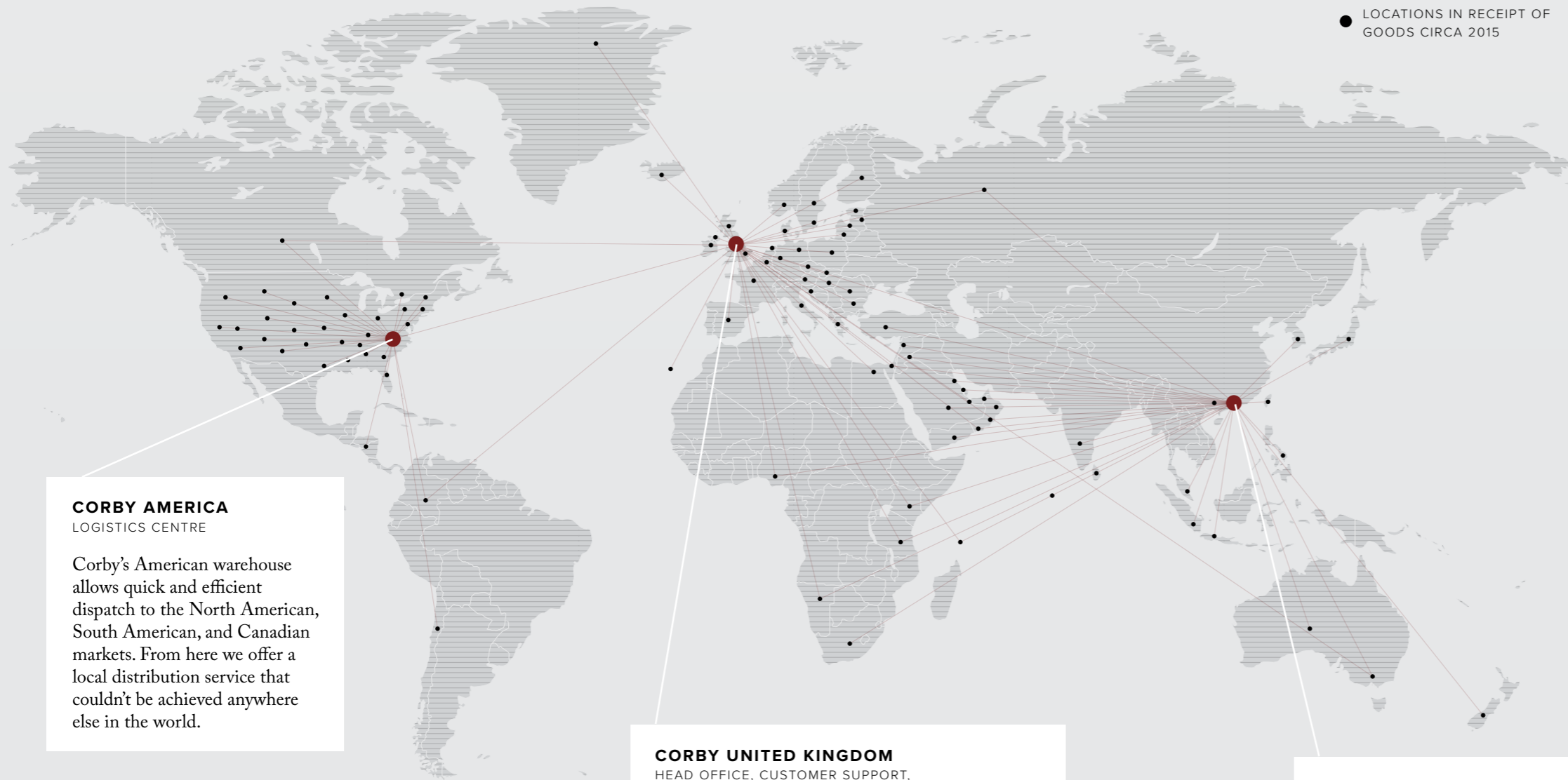
CORBY
OF WINDSOR

WWW.CORBYOFWINDSOR.COM

64 Countries, 6 Continents, 1 Unique Service

OUR GLOBAL SUPPLY CHAIN

Servicing the world's finest hotels across the globe has given Corby of Windsor the singular capacity to anticipate our client's exact needs. With an in-depth understanding of the intricacies product logistics, every aspect of our advice – from assessment to delivery – is tailored just for you.



CORBY AMERICA LOGISTICS CENTRE

Corby's American warehouse allows quick and efficient dispatch to the North American, South American, and Canadian markets. From here we offer a local distribution service that couldn't be achieved anywhere else in the world.

CORBY UNITED KINGDOM HEAD OFFICE, CUSTOMER SUPPORT, MANUFACTURING & WAREHOUSING

As a UK company, Corby of Windsor's head office is based in Huddersfield, Yorkshire. From here, we produce every one of the world-famous Corby trouser press range. All sales and support teams are located in-house alongside their counterparts in design, engineering & marketing putting an unparalleled focus on communication & quality.

CORBY CHINA MANUFACTURING, WAREHOUSING AND LOGISTICS CENTRE

Employing over 200 staff, Corby China is our primary manufacturing site. From here, products are shipped to our warehouses, distributors and even direct to the customer.

DISTRIBUTORS AND RESELLERS BEYOND THE NORMAL SERVICE

Corby works hand-in-hand with selected agents and distributors in your region to deliver a more personalised service. To find out who your local distributor is please contact our team.

AT YOUR SERVICE.

Here at Corby of Windsor, we provide a flexible way for our clients to manage their orders whilst maintaining a personal touch with maximum transparency.

EXPRESS STOCK HOLDING

When a replacement is required, our experts understand the importance of receiving a new item quickly. That's why we carry stock of popular lines across all three of our logistics centres.

On single items and small batches we aim to dispatch on the same day if ordered before 12:00 GMT. For large orders, our experts will work with you to build a freight quotation tailored specifically to your needs, keeping you informed at every stage of the process.

LIVE STOCK UPDATES

In the hospitality industry, things often move quickly. To meet the exacting standards of our customers, we continually invest in cutting edge order management systems. This allows us to publish up to date stock levels on our website with up to the minute accuracy; as soon as an order is placed, the item is allocated and the system updated, ensuring total precision 24/7.

INCOTERMS TO SUIT YOU

We understand that not every quote is the same. That's why our experts are on hand to offer tailored advice on which incoterms are right for you and your business.

LOGISTICS SUPPORT

As specialists in providing quality delivery services, we liaise directly with the forwarder to ensure proper documentation is in place prior to dispatch. On request, we can supply extensive Shipping Documentation and Proof of Certification to ensure the transition across borders is as smooth as possible.

CONFLICT RESOLUTION

With a reputation for meeting the needs of even the most challenging requests, our team are proficient in identifying and resolving potential problems before goods are dispatched. In the event that there are unforeseen delays with your order, our experts will work directly with forwarders to resolve the issue within the limits of the agreed incoterms.

Should you require any more information please contact our expert team:

UK: +44 (0) 3300 882 064
International: +44 (0) 1264 325 138

DID YOU KNOW?

WE WERE ESTABLISHED
1930
IN GREAT BRITAIN

A Historic British Brand

We are immensely proud of our unique and extensive history in the hospitality industry.

WE EMPLOY MORE THAN
280
STAFF ACROSS THE GROUP

A Team Effort

We undertake the whole process from design to production, logistics and sales, across three continents.

WE OFFER MORE THAN
200
PRODUCT LINES

Design, Develop, Manufacture

We work for you. An exclusive range of products created for the hotels that use them.

WE SHIP TO MORE THAN
60
COUNTRIES

A Global Service

We offer a variety of shipping options to ensure a seamless experience, no matter the destination.

WE SUPPLY
8
OUT OF THE TOP 10 HOTEL GROUPS WORLDWIDE

Demand the Best

We work closely with the world's most recognisable brands to support their pursuit of outstanding service.

WE SPEAK
7
LANGUAGES

A Personalised Service

We endeavour to make your buying experience as simple as possible by working in your native tongue.

WE PROVIDE
3
YEARS WARRANTY ON ELECTRICAL ITEMS

Setting the Industry Standard

We cover all our mains-powered electrical goods automatically at the point of sale, with no registration required.

WE OPERATE
2
MANUFACTURING SITES

A Vertically Integrated Manufacturer

We take control of the entire process from start to finish, ensuring impeccable quality at a manageable cost.

WE HAVE
1
GOAL

Our Promise to You

To demand and deliver exceptional value, both in product and service, for all our customers great and small.

CORBY
OF WINDSOR



The Corby Team

INTRODUCTION

Building relationships is central to providing quality service in hospitality. With a deep understanding of the needs of top hotels, Corby's expert team specialises in supporting the world you move in.

As a leading manufacturing brand in the hotel and hospitality industry, our success depends on the quality of our work, attitude, expertise, innovation and how we treat people. Our team upholds the following principles;



Commitment – Our brand represents our reputation. We are devoted to maintaining the supply of world-class products and services to our customers worldwide. We strive to build sustainable partnerships that continue to reflect and strengthen the integrity of the Corby of Windsor name.



Passion – We design, source and manufacture products that are specifically created for the hospitality industry. We rely on our

customers to help us find the next opportunity, which keeps every relationship fresh and every new project exciting.



Empathy – We listen hard to understand the needs of our customers. Our customers are our eyes, ears and voice in the market and their needs define our purpose.



Expertise – We know how, where and when we add value for our customers. Our multilingual, multicultural, highly-skilled team are trained in design, production, international trade and global supply chain operations to ensure that we meet and exceed our customer's requirements.

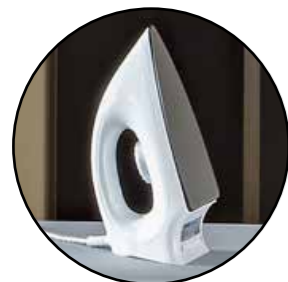


The world's local hospitality brand – We understand the importance and value of building a relationship with our customers, promoting understanding and cohesion between cultures and emphasising a sense of unity worldwide. Our model is created based on our customer's needs; we adapt to suit their local market.

“Unity is strength . . . when there is teamwork and collaboration, wonderful things can be achieved.” - Mattie Stepanek

3 YEAR **★★**
ELECTRICAL
GUARANTEE

BERKSHIRE STANDARD IRONING CENTRE



CHOICE OF IRONS
STEAM OR DRY



SLIDING BRACKET
INCREASES IRONING
AREA



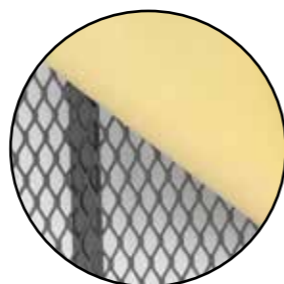
ALUMINISED COVER
REFLECTS HEAT FOR
EFFICIENT IRONING



ANTI-THEFT DEVICE
SECURES IRON



INTEGRATED HOOK
TO HANG IN A WARDROBE

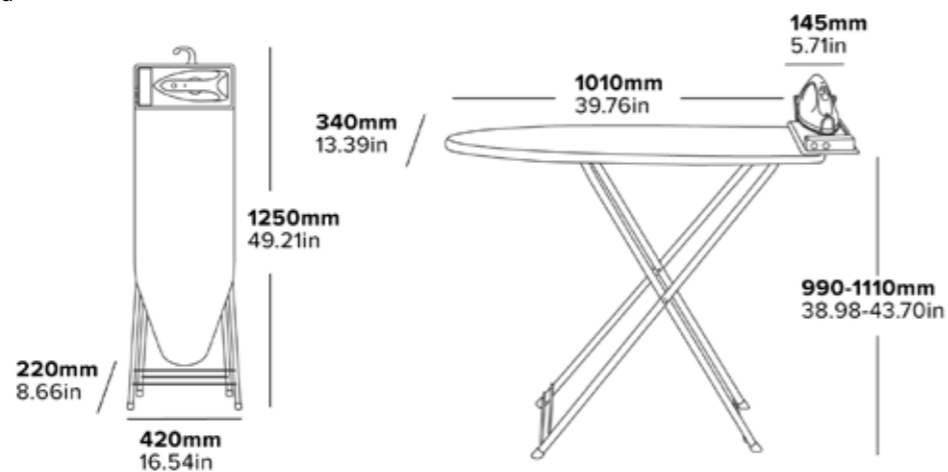


MESH BOARD
FOR STEAM FLOW



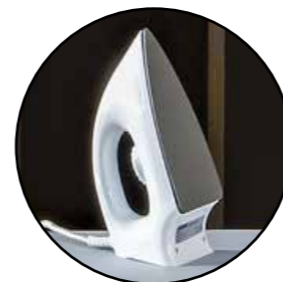
- Lightweight frame with 3 height positions
- Steam flow, mesh pattern ironing board
- Anti-theft device
- Heat-resistant iron holster
- Sliding bracket
- Foam-lined, aluminised cover
- Drawstring cover
- Deck chair mechanism
- Durable powder coated legs
- Protective plastic feet
- Integrated cable tidy
- Integrated hook
- Fully Certified & CE Marked

Choice of irons available, see p14:
• Sherwood 1200W Steam Iron - White
• Sherwood 1200W Dry Iron - White



3 YEAR **★★**
ELECTRICAL
GUARANTEE

BERKSHIRE COMPACT IRONING CENTRE



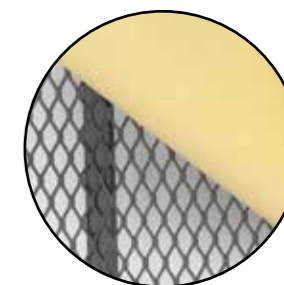
CHOICE OF IRONS
STEAM OR DRY



ANTI-THEFT DEVICE
SECURES IRON



ALUMINISED COVER
REFLECTS HEAT FOR
EFFICIENT IRONING



MESH BOARD
FOR STEAM FLOW

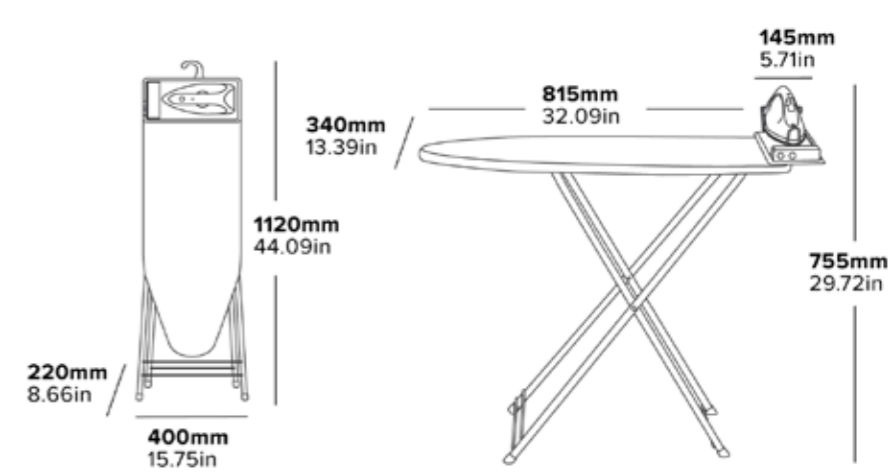


INTEGRATED HOOK
TO HANG IN A WARDROBE



- Lightweight frame with a single height option
- Steam flow, mesh pattern ironing board
- Anti-theft device
- Heat-resistant iron holster
- Sliding bracket
- Foam-lined, aluminised cover
- Drawstring cover
- Deck chair mechanism
- Durable powder coated legs
- Protective plastic feet
- Integrated cable tidy
- Integrated hook
- Fully Certified & CE Marked

Choice of irons available, see p14:
• Sherwood 1200W Steam Iron - White
• Sherwood 1200W Dry Iron - White



3 YEAR **★★**
ELECTRICAL
GUARANTEE

OXFORD STANDARD IRONING CENTRE



CHOICE OF IRONS
STEAM OR DRY



ROTATING BRACKET
LEFT OR RIGHT HANDED



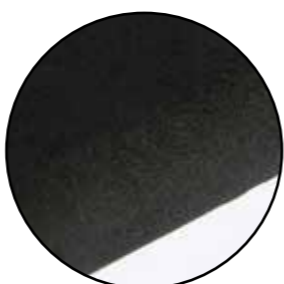
INTEGRATED HOOK
TO HANG IN A WARDROBE



ANTI-THEFT CORD TIDY
SECURES IRON



**DUAL SIDED QUICK
RELEASE MECHANISM**
EASY OPENING



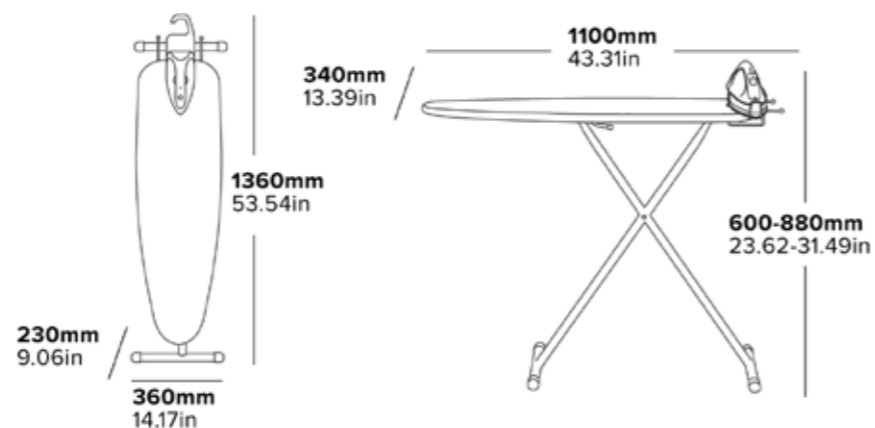
CHOICE OF COVERS
BLACK OR ALUMINISED



- Lightweight frame with 7 height positions
- Dual sided quick release mechanism
- Mesh pattern ironing board
- Anti-theft device
- Heat-resistant, rotating iron holster
- Foam-lined, aluminised cover
- Drawstring cover
- Durable powder coated legs
- Protective rubber feet
- Integrated cable tidy
- Integrated hook
- Fully Certified & CE Marked
- Available options are grey aluminised or added black cotton cover

Choice of irons available, see p14:

- Sherwood 1200W Steam Iron - Black
- Sherwood 1200W Dry Iron - Black



3 YEAR **★★**
ELECTRICAL
GUARANTEE

CAMBRIDGE COMPACT IRONING CENTRE



CHOICE OF COLOUR
BLACK OR WHITE



SECURE CLIP
HOLDS BOARD WHEN
CLOSED



ALUMINISED COVER
REFLECTS HEAT FOR
EFFICIENT IRONING



SEPARATE BRACKET
FLEXIBLE POSITIONING



ANTI-THEFT DEVICE
SECURES IRON

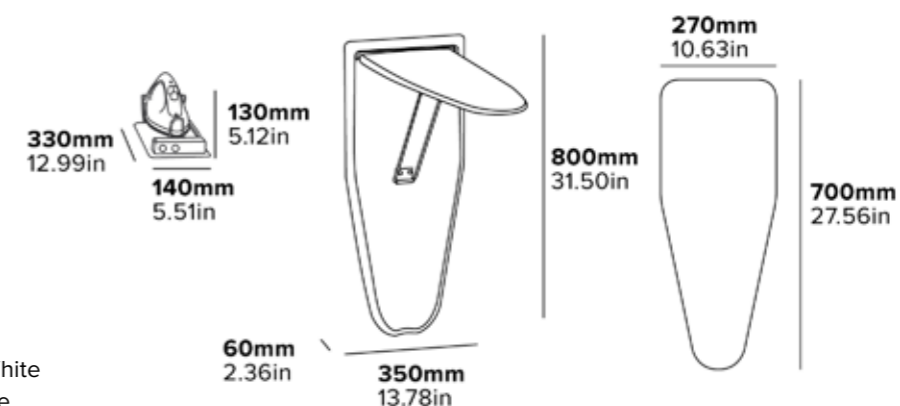


EASY OPENING
SINGLE BRACKET

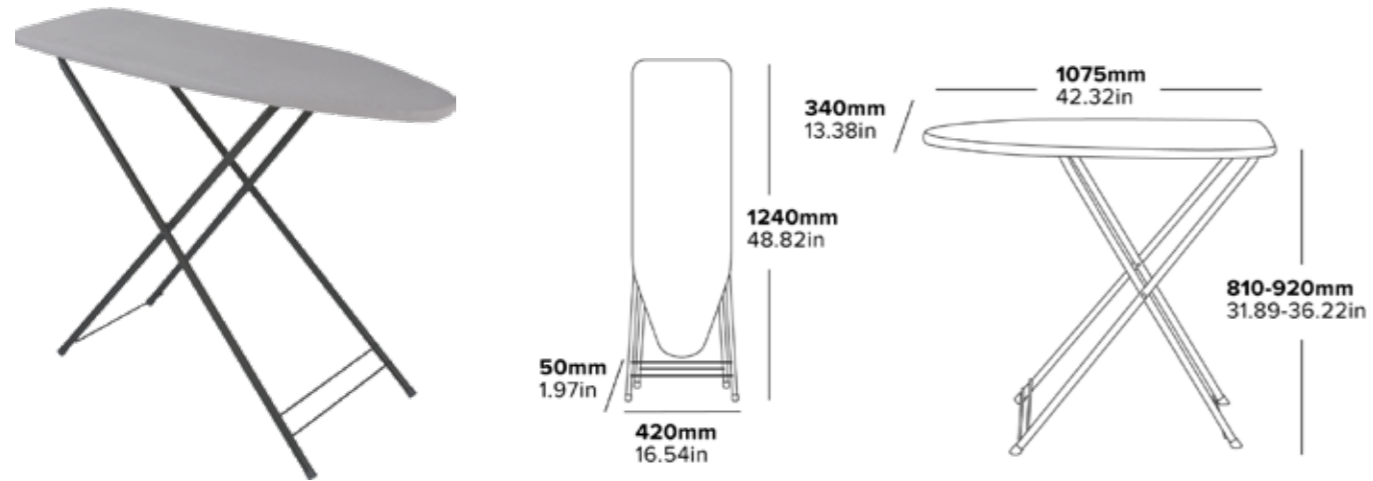
- Wall-mounted
- Anti-theft device
- Heat-resistant iron holster
- Foam-lined aluminised cover
- Drawstring cover
- Fixings included
- Fully Certified & CE Marked

Choice of irons available, see p14:

- Sherwood 1200W Steam Iron - Black or White
- Sherwood 1200W Dry Iron - Black or White

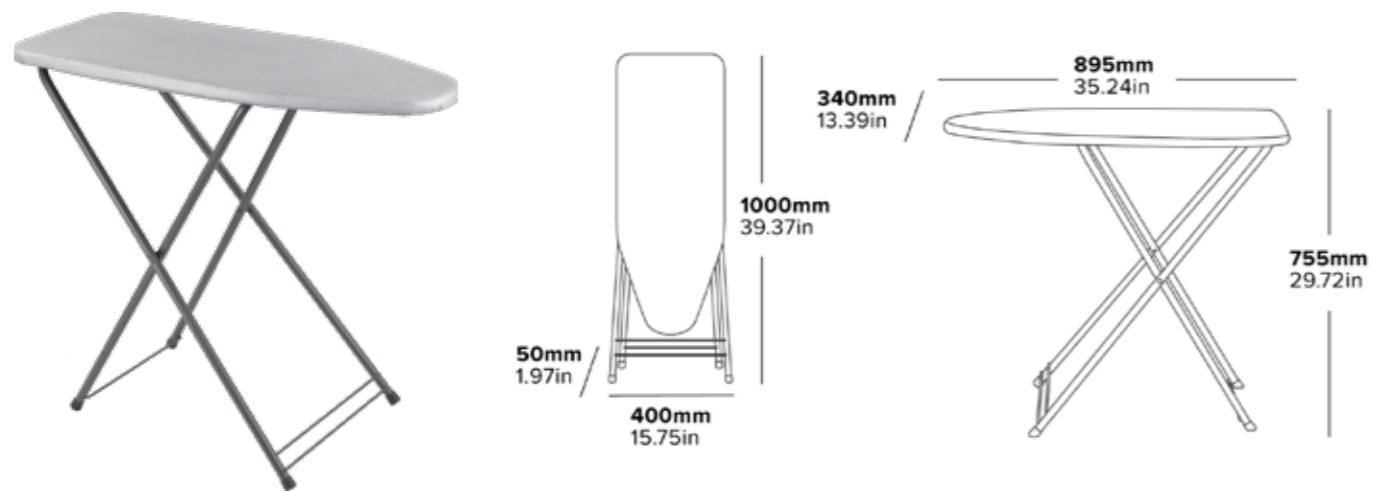


BERKSHIRE STANDARD IRONING BOARD



- Lightweight frame with 3 height positions
- Deck chair mechanism
- Mesh pattern ironing board
- Foam-lined, aluminised cover
- Durable powder coated legs
- Drawstring cover
- Protective plastic feet

BERKSHIRE COMPACT IRONING BOARD

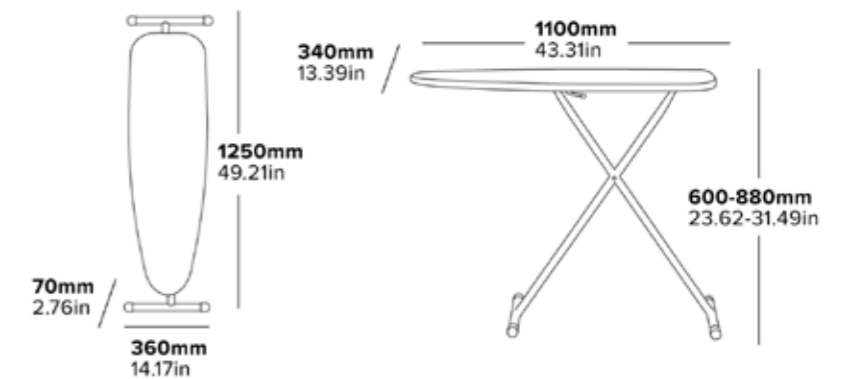


- Lightweight frame with a single height option
- Deck chair mechanism
- Mesh pattern ironing board
- Foam-lined, aluminised cover
- Durable powder coated legs
- Drawstring cover
- Protective plastic feet

OXFORD STANDARD IRONING BOARD

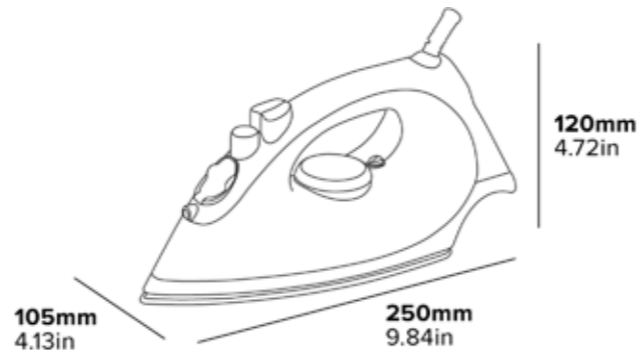


- Lightweight frame with 7 height positions
- Dual sided quick release mechanism
- Mesh pattern ironing board
- Foam-lined, aluminised cover
- Durable powder coated legs
- Drawstring cover
- Protective rubber feet
- Available options are grey aluminised or added black cotton cover





SHERWOOD 1200W STEAM IRON



- Auto-off feature cuts heat in 30 seconds if left on sole plate and in 8 minutes on heel
- Stainless steel sole plate
- 145ml capacity water tank
- Vertical steam, shot of steam (8g/min)
- Dual LED lights
- 220-240V ~ 50-60Hz with 2.5m cord
- Fully Certified & CE Marked



SHERWOOD 2000W STEAM IRON



STAINLESS STEEL SOLE PLATE
NON STICK & DURABLE



STEAM & SPRAY
FOR STUBBORN CREASES



FILL INDICATOR
HORIZONTAL & VERTICAL



TEMPERATURE DIAL
65°-230°C



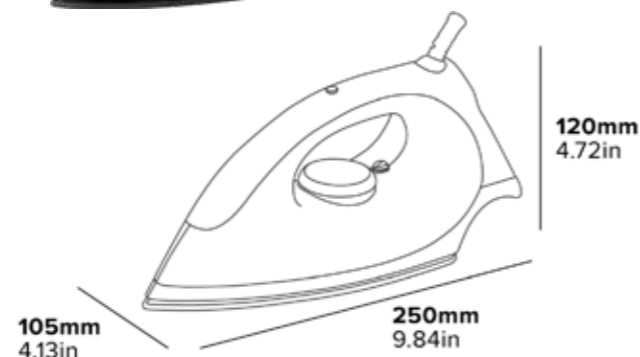
DUAL LED LIGHTS
HEATING INDICATOR



RUBBER HANDLE

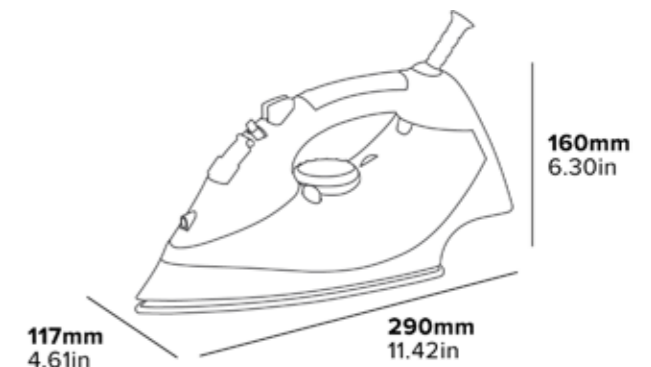


SHERWOOD 1200W DRY IRON



- Auto-off feature cuts heat in 30 seconds if left on sole plate and in 8 minutes on heel
- Non-stick sole plate
- Dual LED lights
- 220-240V ~ 50-60Hz with 2.5m cord
- Fully Certified & CE Marked

- Auto-off feature cuts heat in 30 seconds if left on sole plate and in 8 minutes on heel
- Non-stick 179cm² stainless steel sole plate
- 330ml water tank
- Vertical steam, shot of steam (15-30g/min)
- Water spray
- Iron temperature range of 65 - 230°C
- Fabric/temperature dial
- Self cleaning function
- Dual LED lights
- Rubber handle
- 220-240V ~ 50-60Hz with 3m cord
- Fully Certified & CE Marked



SHERWOOD HOLDER FOR IRON & IRONING BOARD



WALL MOUNTED
SPACE SAVING



CHROME RETAINING BAR
SECURES IRON

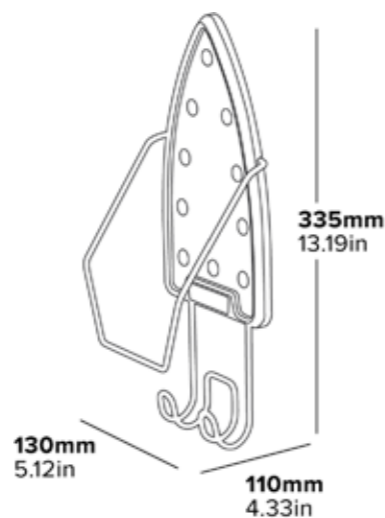


CONCEALED FIXINGS

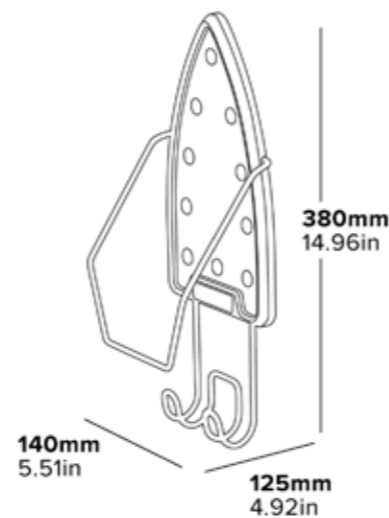


CHROME HOOK
HOLDS ALL CORBY
IRONING BOARDS

1200 MODEL



2000 MODEL



- Wall mounted
- Heat-resistant resting plate
- Chrome finish retaining bar
- Durable construction
- Concealed fixings included
- Designed for use with Sherwood Iron Range

Model Compatibility, see p14:

- 1200 - For all Sherwood 1200W Steam & Dry Irons
- 2000 - For Sherwood 2000W Iron

SHERWOOD HOLDER FOR IRONING BOARD

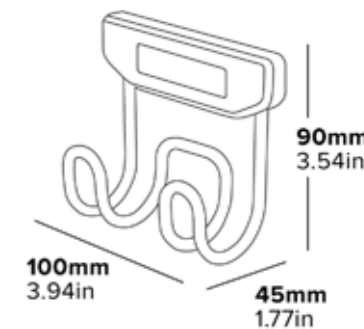


CHROME HOOK
HOLDS ALL CORBY
IRONING BOARDS



CONCEALED FIXINGS

- Mountable on a variety of surfaces
- Chrome hook
- Durable construction
- Fixings included



REPLACEMENT COVERS

**ALUMINISED
COVER**



**GREY
COVER**



**BLACK
COVER**



- Direct replacement for Corby ironing boards & centres
- Exact fit for Corby lines
- Drawstring fitting
- Table shows available combinations

| | BERKSHIRE STANDARD | BERKSHIRE COMPACT | OXFORD STANDARD BOARD & CENTRE | CAMBRIDGE COMPACT CENTRE |
|--|-----------------------|----------------------|---|--------------------------------|
|--|-----------------------|----------------------|---|--------------------------------|

| | | | | |
|---------------------|---|---|---|---|
| ALUMINISED COVER | ✓ | ✓ | ✓ | ✓ |
| GREY COVER | ✓ | | ✓ | ✓ |
| BLACK COVER | | | ✓ | |



BUCKINGHAM STANDARD WELCOME TRAY



CHOICE OF COLOUR
BLACK, LIGHT OR DARK WOOD



REMOVABLE DRIP TRAY
EASY CLEANING



ANTI-THEFT
SECURITY OF KETTLE



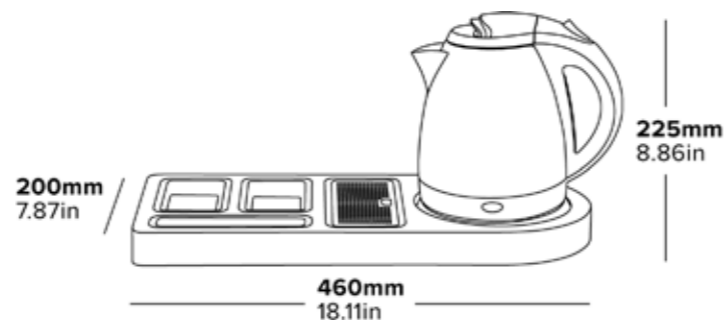
CHROME KETTLE
1L CAPACITY



ABS SACHET HOLDERS
EASY PRESENTATION



RUBBER FEET
ANTI-SCRATCH



- Integrated welcome tray
- Removable "drip tray" in perforated stainless steel
- Built in ABS sachet holders
- Rubber feet
- Anti-theft Buckingham 1L Kettle (see p34)
- Available in a range of finishes
- Fully Certified & CE Marked



BUCKINGHAM COMPACT WELCOME TRAY



CHOICE OF COLOUR
BLACK, LIGHT OR DARK WOOD



REMOVABLE DRIP TRAY
EASY CLEANING



ANTI-THEFT
SECURITY OF KETTLE



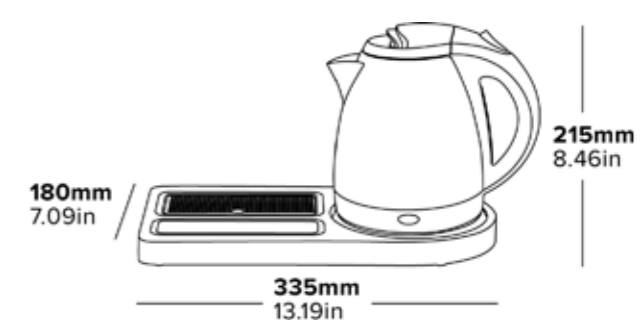
CHROME KETTLE
1L CAPACITY



ABS SACHET HOLDERS
EASY PRESENTATION



RUBBER FEET
ANTI-SCRATCH



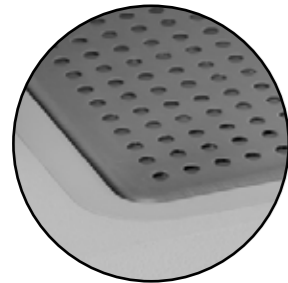
- Integrated welcome tray
- Removable "drip tray" in perforated stainless steel
- Built in ABS sachet holders
- Rubber feet
- Anti-theft Buckingham 1L Kettle (see p34)
- Available in a range of finishes
- Fully Certified & CE Marked



LANCASTER COMPACT WELCOME TRAY



CHOICE OF COLOUR
TEXTURED BLACK OR
WHITE FINISH



REMOVABLE DRIP TRAY
EASY CLEANING



ANTI-THEFT
SECURITY OF KETTLE



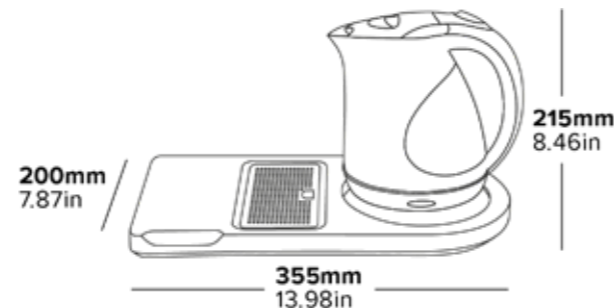
POLYPROPYLENE KETTLE
1L CAPACITY



SACHET HOLDER
PRE-FILL FOR EASY SWAP



RUBBER FEET
ANTI-SCRATCH



- Integrated welcome tray
- Removable "drip tray" in perforated stainless steel
- Separate ABS condiment holder
- Rubber feet
- Anti-theft Lancaster 1L Kettle (see p35)
- Available in choice of colours
- Fully Certified & CE Marked



KENSINGTON COMPACT WELCOME TRAY



SPACE SAVING
CORNER FIT



REMOVABLE DRIP TRAY
EASY CLEANING



ANTI-THEFT
SECURITY OF KETTLE



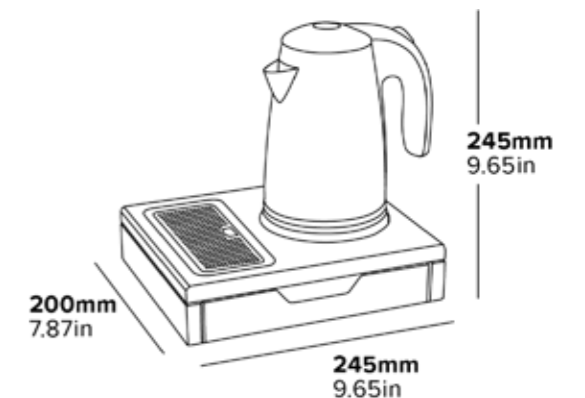
BRUSHED STEEL KETTLE
0.6L CAPACITY



LARGE SACHET DRAWER
DISCRETE STORAGE



RUBBER FEET
ANTI-SCRATCH



- Integrated space saving welcome tray
- Removable sachet holder
- Removable "drip tray" in perforated stainless steel
- Outer tray made of painted wood
- Large sachet holder made of hard-wearing nylon
- High grip rubber feet
- Anti-theft Kensington 0.6L Kettle (see p32)
- Fully Certified & CE Marked

3 YEAR **★★**
ELECTRICAL
GUARANTEE

AINTREE COMPACT WELCOME TRAY



BRUSHED STEEL KETTLE
0.6L CAPACITY



ABS SACHET HOLDERS
EASY PRESENTATION



REMOVABLE DRIP TRAY
EASY CLEANING



RUBBER FEET
ANTI-SCRATCH



ANTI-THEFT
SECURE FIXING



SPACE SAVING
COMPACT FOOTPRINT



- Integrated space saving welcome tray
- Removable "drip tray" in perforated stainless steel
- Built in ABS sachet holders
- Rubber feet
- Anti-theft Kensington 0.6L Kettle (see p32)
- Fully Certified & CE Marked

3 YEAR **★★**
ELECTRICAL
GUARANTEE

BECKETT COMPACT WELCOME TRAY



ANTI-THEFT
SECURE FIXING



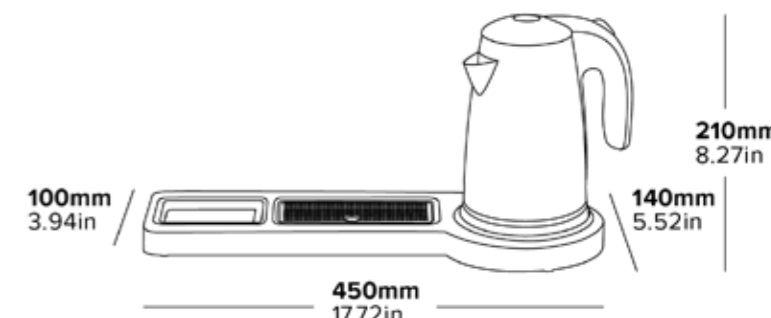
BRUSHED STEEL KETTLE
0.6L CAPACITY



REMOVABLE DRIP TRAY
EASY CLEANING



SPACE SAVING
SLIM FIT



- Integrated space saving welcome tray
- Removable "drip tray" in perforated stainless steel
- Built in ABS sachet holders
- Rubber feet
- Anti-theft Kensington 0.6L Kettle (see p32)
- Fully Certified & CE Marked

3 YEAR **★★**
ELECTRICAL
GUARANTEE

WINDERMERE COMPACT WELCOME TRAY



ANTI-THEFT
SECURE FIXING



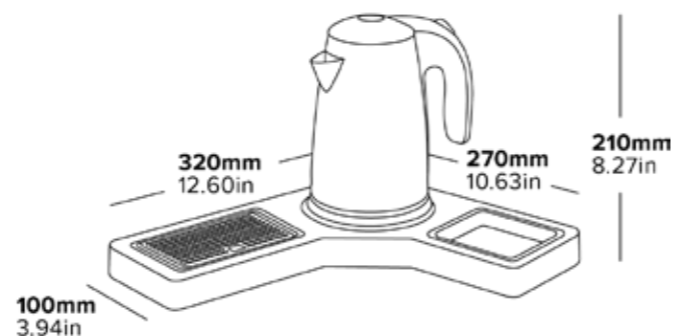
BRUSHED STEEL KETTLE
0.6L CAPACITY



REMOVABLE DRIP TRAY
EASY CLEANING



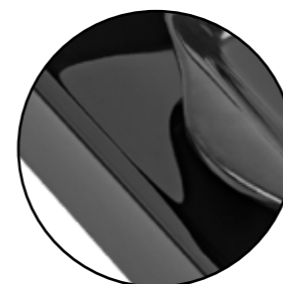
SPACE SAVING
CORNER FIT



- Integrated space saving welcome tray
- Removable "drip tray" in perforated stainless steel
- Built in ABS sachet holders
- Rubber feet
- Anti-theft Kensington 0.6L Kettle (see p32)
- Fully Certified & CE Marked

3 YEAR **★★**
ELECTRICAL
GUARANTEE

ASCOT STANDARD HOSPITALITY TRAY SET



GLOSS BLACK FINISH
EASY CLEANING



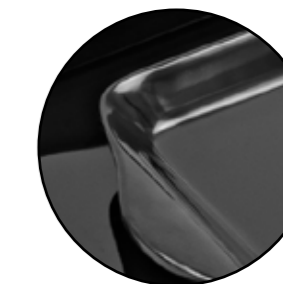
HIGH SIDES
CONTAINS SPILLS



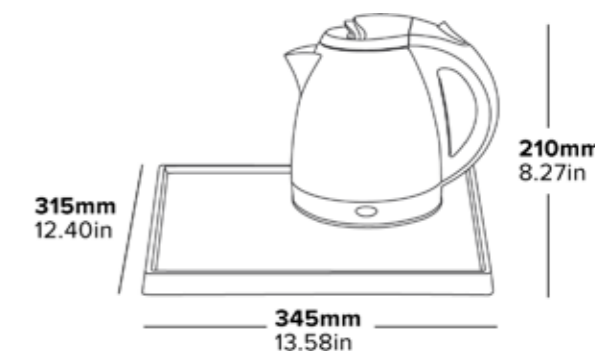
INTERNAL DIVIDERS
FOR PORTION CONTROL



CHROME KETTLE
1L CAPACITY



MUG & CONDIMENT TRAY
GLOSS BLACK
MELAMINE PLASTIC

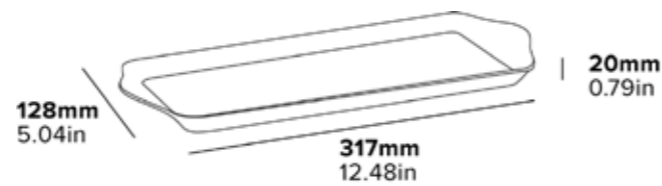


- Non-integrated melamine tray set with raised sides
- Removable mug tray and sachet holder
- Heat resistant to 140°C
- Cable tidy feature
- Buckingham 1L Kettle (see p34)
- Fully Certified & CE Marked

ASCOT MUG TRAY



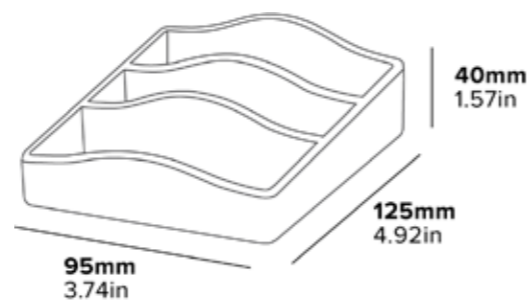
- Made from hard-wearing gloss melamine
- Heat resistant to 140°C
- Stackable
- Integrated carry handles
- Case quantity 5



ASCOT SACHET HOLDER



- Made from hard-wearing gloss melamine
- Heat resistant to 140°C
- Internal dividers for portion control
- Case quantity 5



RICHMOND COMPACT HOSPITALITY TRAY SET



CHOICE OF COLOUR
DARK OR BLACK WOOD



BRUSHED STEEL KETTLE
0.6L CAPACITY



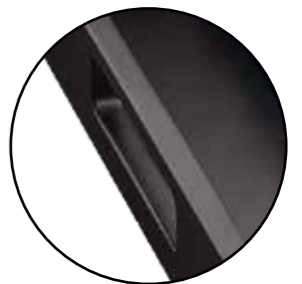
HIGH SIDES
CONTAINS SPILLS



MUG & SACHET TRAY
GLOSS BLACK
MELAMINE PLASTIC

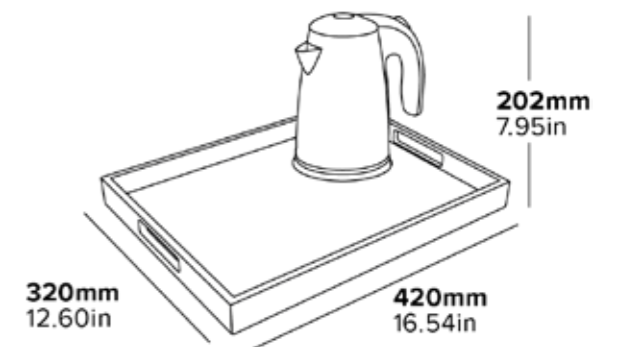


INTERNAL DIVIDERS
FOR PORTION CONTROL



INTEGRATED HANDLES
EASY TO CARRY

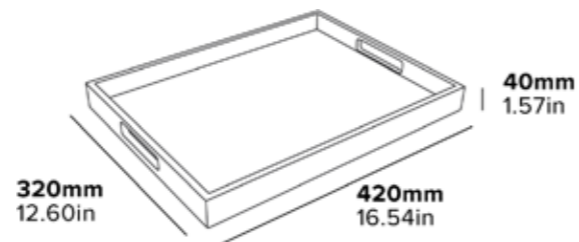
- Non-integrated hospitality tray set with raised sides
- Black or Dark wood finish available (see p28)
- Made of sapele wood
- Removable sachet holder
- Mug tray with carry handles
- Includes Kensington 0.6L Kettle (see p32)



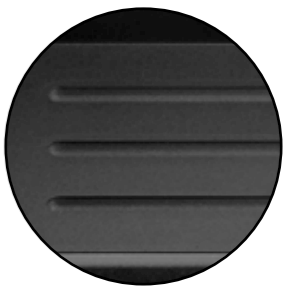
RICHMOND COMPACT BUTLER TRAY



- Butler tray with raised sides
- Made of sapele wood
- Durable construction
- Lacquered finish for easy cleaning
- Integrated handles
- Accommodates tray liners up to 400 x 300mm
- Choice of dark or black wood

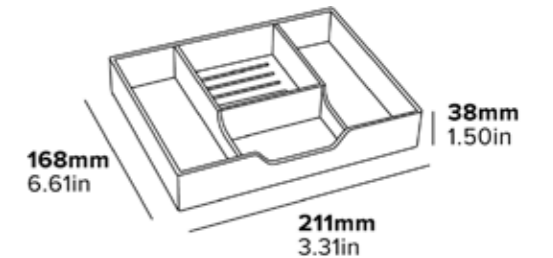


KENSINGTON SACHET HOLDER



GROOVED COMPARTMENT HOLDS SACHETS

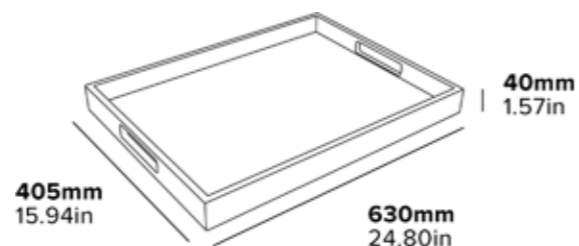
- As used in Kensington compact welcome tray (see p21)
- Made from hard-wearing Nylon
- Heat resistant to 200°C
- Internal dividers for portion control
- Internal sachet grooves to stand up sachets



RICHMOND STANDARD BUTLER TRAY



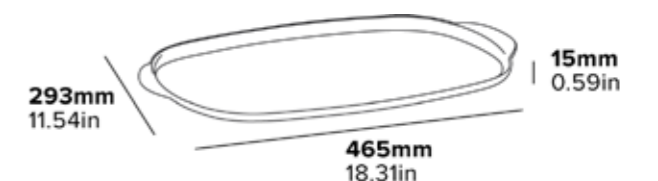
- Butler tray with raised sides
- Made of sapele wood
- Durable construction
- Lacquered finish for easy cleaning
- Integrated handles
- Accommodates tray liners up to 610 x 385mm
- Dark wood finish



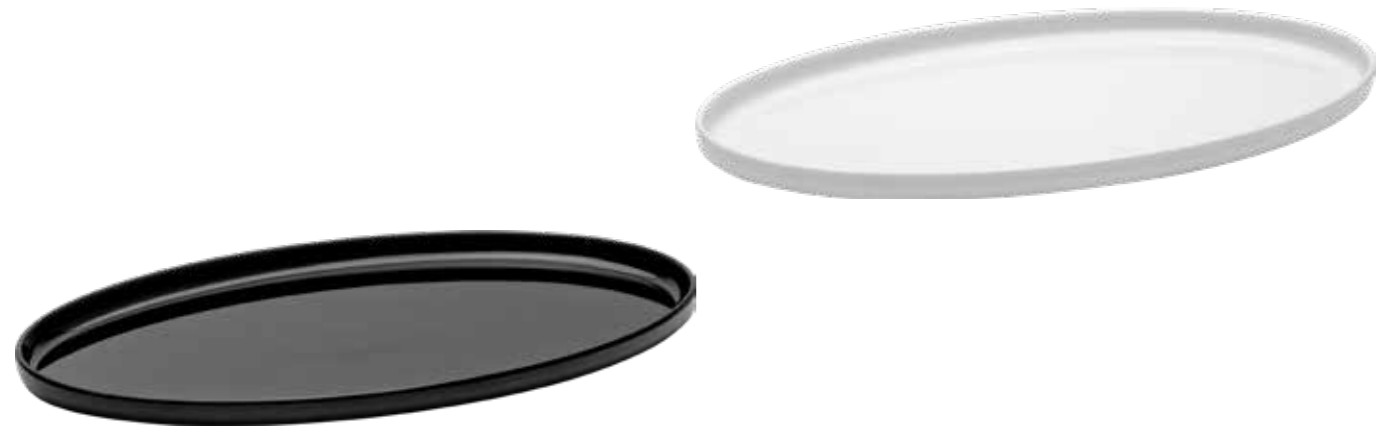
MIDDLETON STANDARD HOSPITALITY TRAY



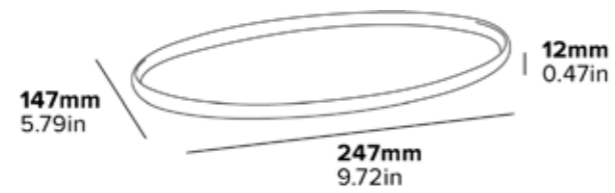
- Integrated handles
- Made from hard-wearing ABS plastic
- Black or white finish
- Easy to maintain and stackable
- Case quantity 5



MIDDLETON MUG TRAY



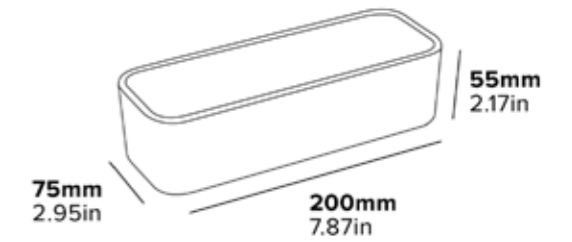
- Made from hard-wearing ABS plastic
- Black or white finish
- Easy to maintain and stackable
- Rubber feet
- Case quantity 5



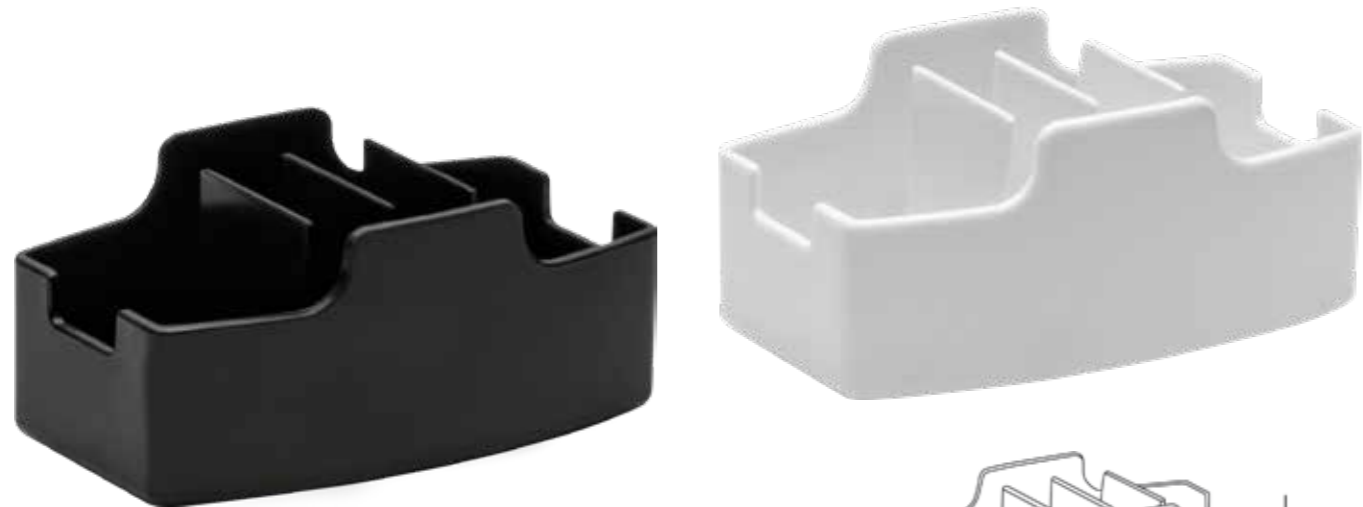
KINGSTON SACHET HOLDER



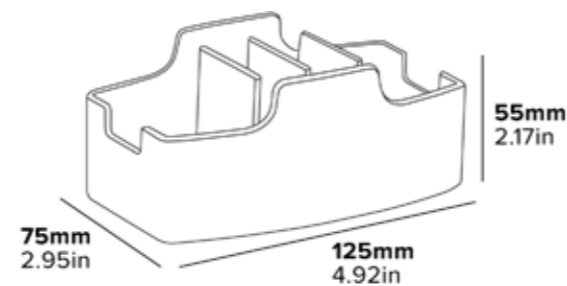
- Made from hard wearing gloss melamine
- Heat resistant to 140°C



MIDDLETON SACHET HOLDER



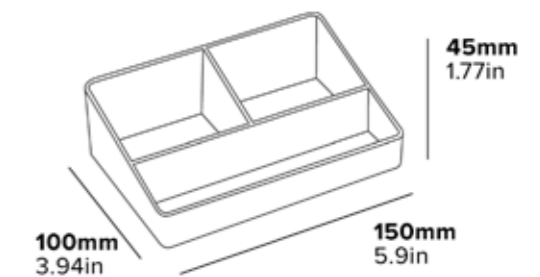
- Made from hard-wearing ABS plastic
- Black or white finish
- Rubber feet
- Case quantity 5



THAME SACHET HOLDER



- Made from hard wearing gloss melamine
- Heat resistant to 140°C
- Internal dividers for portion control
- Case quantity 5



3 YEAR **★ ★**
ELECTRICAL
GUARANTEE

KENSINGTON 0.6L KETTLE



BRUSHED STEEL FINISH
0.6L CAPACITY



CORDLESS OPERATION
360° BASE



ON/OFF SWITCH
WITH OPERATION LIGHT



STRIX CONTROL
PATENTED SAFETY



SPOUT
WITH REMOVABLE FILTER



PUSH TO OPEN
EASY TO USE



- Eco friendly 0.6L capacity
- Brushed 304 stainless steel body
- Strix controlled with auto-switch off boil dry protection
- Additional "lift off reset" safety feature
- LED power indicator light
- 360° cordless operation
- Concealed heating element
- Push button hinged lid
- Integrated cord tidy
- 1000 watt - 230V~ 50Hz
- Fully Certified & CE Marked
- Cable length 0.7m

3 YEAR **★ ★**
ELECTRICAL
GUARANTEE

HAMPTON 1L KETTLE



BRUSHED STEEL FINISH
1L CAPACITY



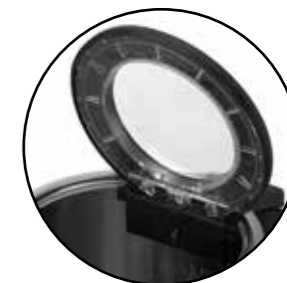
CORDLESS OPERATION
360° BASE



OPERATION LIGHT
SAFETY FEATURE



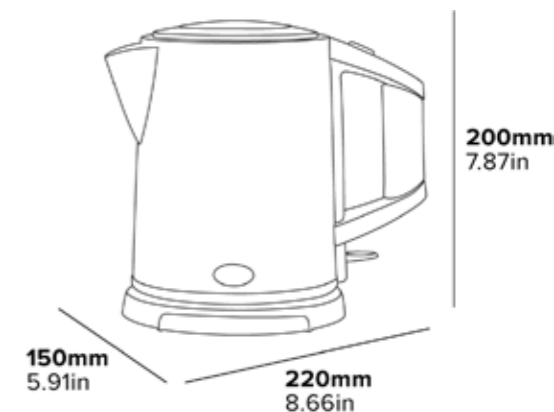
STRIX CONTROL
PATENTED SAFETY



TRANSPARENT LID
VIEW WATER LEVEL



PUSH TO OPEN
EASY TO USE



- 1L capacity
- Brushed 304 stainless steel body
- Strix controlled with auto-switch off boil dry protection
- Additional "lift off reset" safety feature
- LED power indicator light
- 360° cordless operation
- Concealed heating element
- Hinged transparent lid with push button open
- Integrated cord tidy
- 1500 - 1800 watt - 220-240V ~ 50-60Hz
- Fully Certified & CE Marked
- Cable length 0.7m

3 YEAR *******
ELECTRICAL
GUARANTEE

BUCKINGHAM 1L KETTLE



CHROME FINISH
1L CAPACITY



CORDLESS OPERATION
360° BASE



OPERATION LIGHT
SAFETY FEATURE



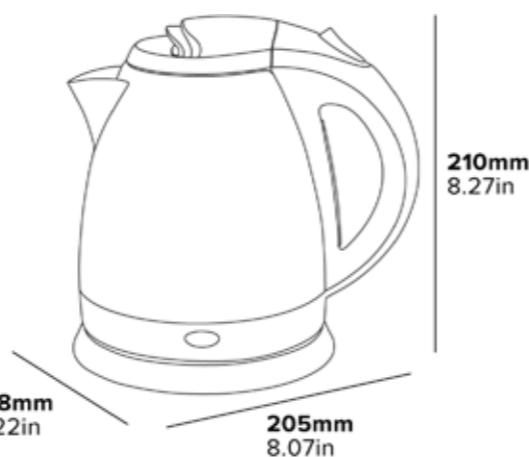
STRIX CONTROL
PATENTED SAFETY



SPOUT
WITH REMOVABLE FILTER



ON/OFF SWITCH
EASY TO USE



- 1L capacity
- Polished 304 stainless steel body with chrome finish
- Strix controlled with auto-switch off boil dry protection
- Additional "lift off reset" safety feature
- LED power indicator light
- 360° cordless operation
- Concealed heating element
- Lockable lid with pull handle opening
- Integrated cord tidy
- 1250 - 1500 watt - 220-240V ~ 50Hz
- Fully Certified & CE Marked
- Cable length 0.7m

3 YEAR *******
ELECTRICAL
GUARANTEE

LANCASTER 1L KETTLE



CHOICE OF COLOUR
1L CAPACITY BLACK OR
WHITE FINISH



CORDLESS OPERATION
360° BASE



OPERATION LIGHT
SAFETY FEATURE



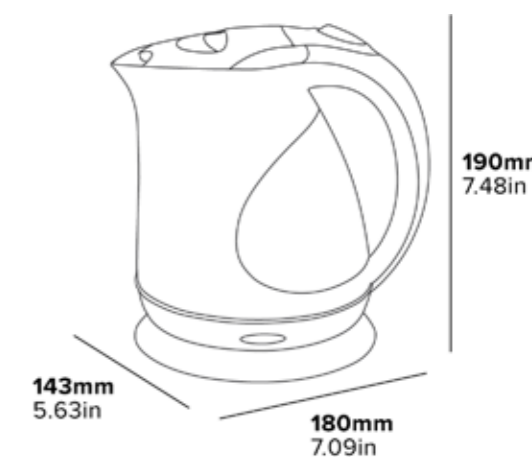
STRIX CONTROL
PATENTED SAFETY



MOLDED SPOUT
WITH REMOVABLE FILTER



ON/OFF SWITCH
EASY TO USE



- 1L capacity
- Available in white or black plastic body
- Strix controlled with auto-switch off boil dry protection
- Additional "lift off reset" safety feature
- LED power indicator light
- 360° cordless operation
- Concealed heating element
- Lockable lid with pull handle opening
- Integrated cord tidy
- 1250 - 1500 watt - 220-240V ~ 50Hz
- Available in White or Black
- Fully Certified & CE Marked
- Cable length 0.7m

3 YEAR ^{★ ★}
ELECTRICAL
GUARANTEE

ANDOVER 2200W HAIR DRYER



TRIGGER ACTIVATED
EASY OPERATION



MULTIPLE SETTINGS
HEAT AND SPEED



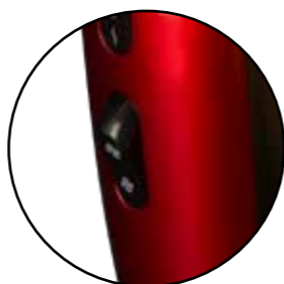
MOLDED HANDLE
ERGONOMIC GRIP



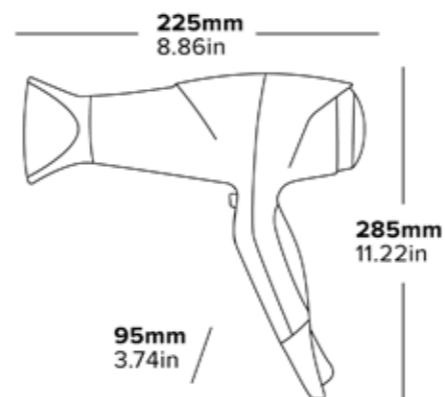
CONCENTRATOR NOZZLE
PRECISE APPLICATION



REMOVABLE CAP
EASY CLEANING



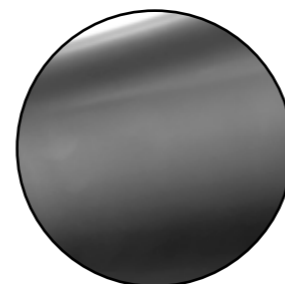
COOL BLOW
PUSH BUTTON



- Trigger activated
- Red handle with black detail
- Ergonomically designed handle
- 2 speed settings
- 3 heat settings
- Cool blow feature
- Comes with concentrator for precise drying and styling
- Zigzag heater
- Removable end cap for easy cleaning
- Over heating protection device
- Integrated loop for hanging
- 2200W max power - 220-240V ~ 50/60Hz
- Fully Certified & CE Marked
- Cable length 0.8m coiled & uncoiled up to 2.1m
- Electrical insulated class 2

3 YEAR ^{★ ★}
ELECTRICAL
GUARANTEE

BEDFORD 2000W FOLDING HAIR DRYER



BLACK FINISH
DARK AND STYLISH



MULTIPLE SETTINGS
HEAT AND SPEED



MOLDED HANDLE
ERGONOMIC GRIP



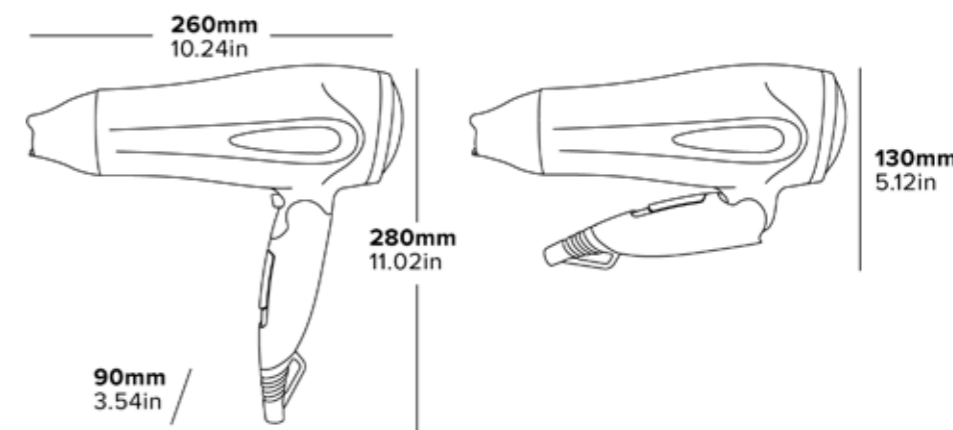
FOLDING HANDLE
COMPACT STORAGE



REMOVABLE CAP
EASY CLEANING



COOL BLOW
PUSH BUTTON



- Black handle with chrome detail
- Ergonomically designed handle
- 2 speed settings
- 3 heat settings
- Cool blow feature
- Comes with concentrator for precise drying and styling
- Zigzag heater
- Removable end cap for easy cleaning
- Over heating protection device
- Integrated loop for hanging
- 2000W max power
- 220-240V ~ 50/60Hz
- Fully Certified & CE Marked
- Cable length 0.8m coiled & uncoiled up to 2.1m
- Electrical insulated class 2

3 YEAR **★ ★**
ELECTRICAL
GUARANTEE

CHESTER 1800W HAIR DRYER



BLACK FINISH
DARK AND STYLISH



MULTIPLE SETTINGS
HEAT AND SPEED



MOLDED HANDLE
ERGONOMIC GRIP



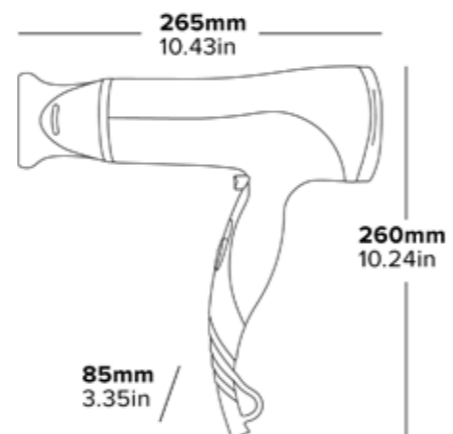
CONCENTRATOR NOZZLE
PRECISE APPLICATION



REMOVABLE CAP
EASY CLEANING



COOL BLOW
PUSH BUTTON



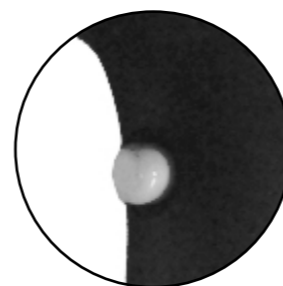
- Black handle with chrome detail
- Ergonomically designed handle
- 2 speed settings
- 3 heat settings
- Cool blow feature
- Comes with concentrator for precise drying and styling
- Zigzag heater
- Removable end cap for easy cleaning
- Over heating protection device
- Integrated loop for hanging
- Electrical insulated class 2
- 1800W max power - 220-240V ~ 50/60Hz
- Fully Certified & CE Marked
- Cable length 0.8m coiled & uncoiled up to 2.1m
- Option of 4m straight cable

3 YEAR **★ ★**
ELECTRICAL
GUARANTEE

DALTON 1600W HAIR DRYER



BLACK FINISH
DARK AND STYLISH



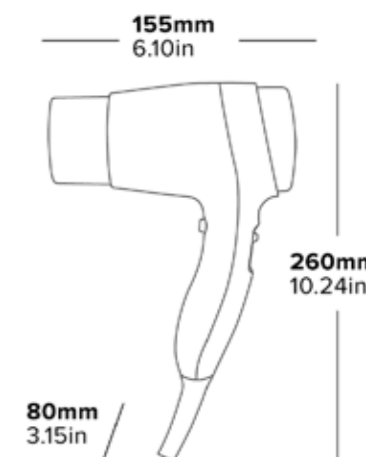
TRIGGER ACTIVATED
PREVENTS MISUSE



CONCENTRATOR NOZZLE
PRECISE APPLICATION



MOLDED HANDLE
ERGONOMIC GRIP



- Black handle with chrome detail
- Ergonomically designed handle
- Trigger activated
- 2 heat settings
- Cool blow feature
- Comes with concentrator for precise drying and styling
- Electrical insulated class 2
- 1600W max power - 220-240V ~ 50/60Hz
- Fully Certified & CE Marked
- Cable length 0.8m coiled & uncoiled up to 1.8m
- Option of 4m straight cable

3 YEAR *******
ELECTRICAL
GUARANTEE

KENDAL 1600W WALL MOUNTED HAIR DRYER



GLOSS WHITE FINISH
LIGHT AND CLEAN



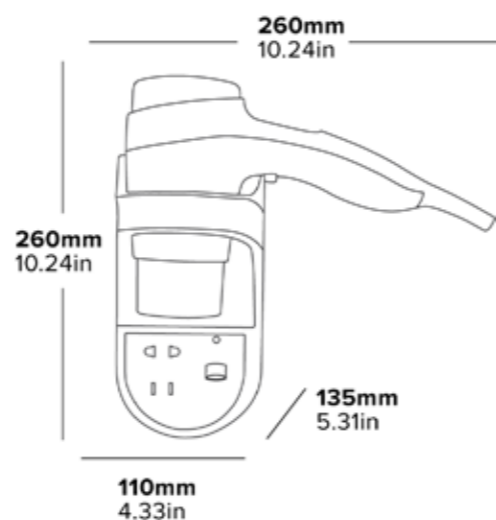
TRIGGER ACTIVATED
PREVENTS MISUSE



2 HEAT SETTINGS
AND COOL BLOW



SHAVING SOCKET
GUEST CONVENIENCE



- Anti-theft hair dryer
- Wall mounted
- Trigger activated
- 2 heat settings
- Cool blow feature
- Hard wired
- Electrical insulated class 2
- 1600W max power - 220-240V ~ 50/60Hz
- Shaver socket: 115/230V
- Concealed fixings included
- Fully Certified & CE Marked
- Cable length 0.5m coiled & uncoiled up to 1.4m
- Mains cable length 0.9m

3 YEAR *******
ELECTRICAL
GUARANTEE

LINTON 1200W WALL/DRAWER MOUNTED HAIR DRYER



GLOSS WHITE FINISH
LIGHT AND CLEAN



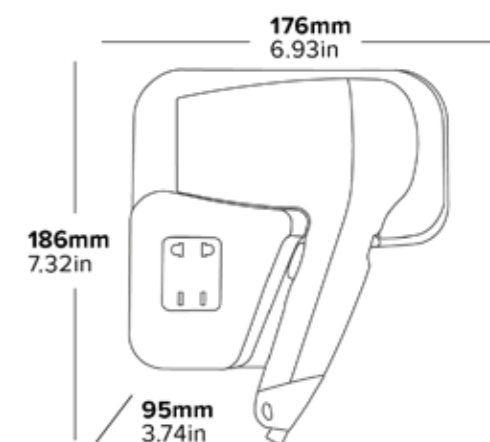
TRIGGER ACTIVATED
PREVENTS MISUSE



2 HEAT SETTINGS
AND COOL BLOW



SHAVING SOCKET
OPTIONAL EXTRA

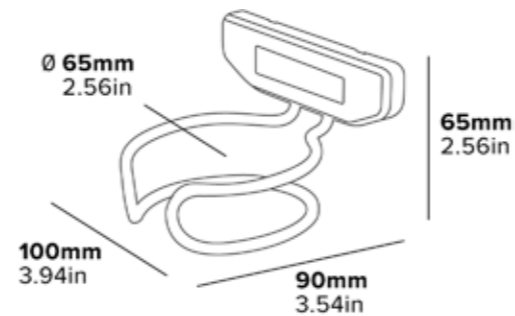


- Anti-theft hair dryer
- Wall or drawer mounted
- Trigger activated
- 2 heat settings
- Hard wired
- Electrical insulated class 2
- 1200W max power - 220-240V ~ 50/60Hz
- Concealed fixings included
- Fully Certified & CE Marked
- Cable length 0.5 coiled & uncoiled up to 1.6m

BROMLEY HAIR DRYER RING



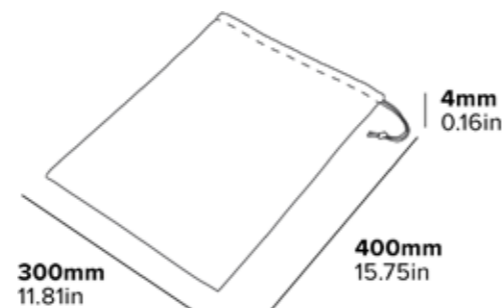
- Wall mountable
- Concealed fixings included
- Can accommodate Chester, Dalton and Bedford hair dryers
- Rigid and durable construction



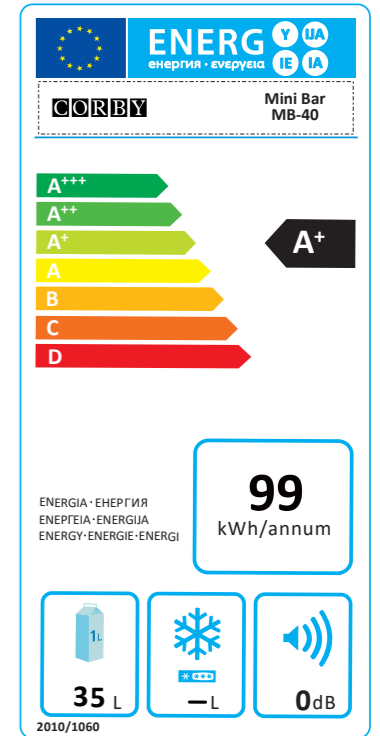
BROMLEY HAIR DRYER BAG



- Soft material to protect hair dryer
- Ideal storage solution
- 100% Terylene (Polyester)
- Black
- Drawstring
- Inner bag size: 300 x 400mm
- Case quantity 5



ETON 40L LOCKABLE MINIBAR



LEFT OR RIGHT OPENING
FLEXIBLE USE

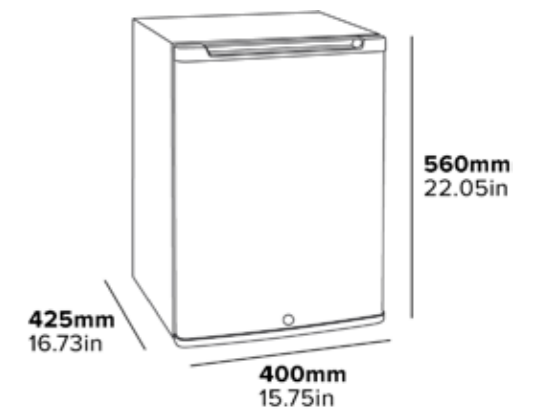


ADJUSTABLE SHELVES
FOR LARGER ITEMS



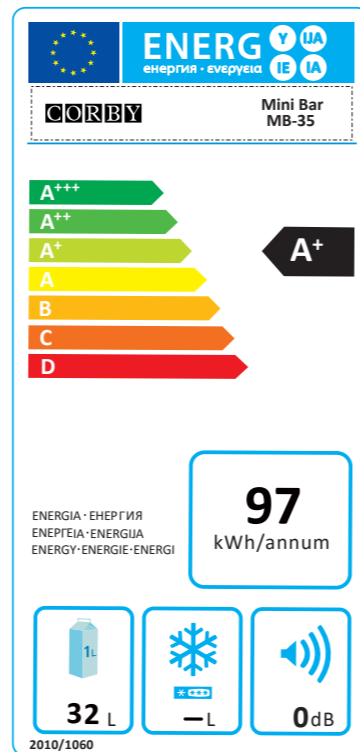
LOCKABLE DOOR
SAFE AND SECURE

- No Compressor or CFC's
- A+ energy efficiency rating
- R600a refrigerant (Non-ammonia coolant)
- Vibration free silent operation
- Zero degree peltier cooling
- Refrigerator temp 6 to 8°C
- Interior LED light
- 63 watt - 220-240V ~ 50-60Hz
- Insulation: Cyclopentane
- Integrated door lock with 2 keys
- Adjustable shelving and door storage
- Left & Right opening options
- Discrete hinges
- Can accommodate a 1L bottle of water or wine
- Fully Certified & CE Marked

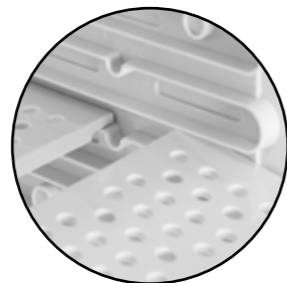




ETON 35L LOCKABLE MINIBAR



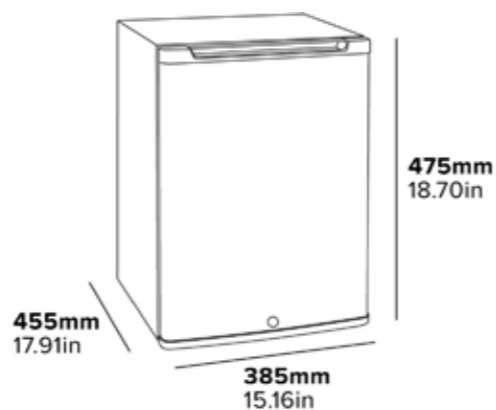
LEFT OR RIGHT OPENING
FLEXIBLE USE



ADJUSTABLE SHELVES
FOR LARGER ITEMS



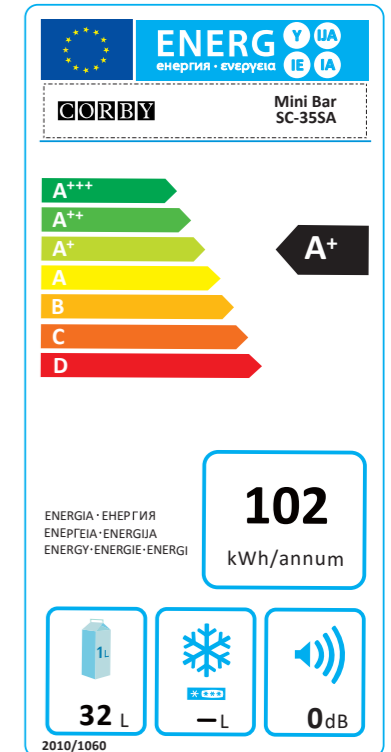
LOCKABLE DOOR
SAFE AND SECURE



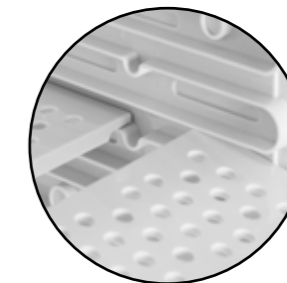
- No Compressor or CFC's
- A+ energy efficiency rating
- R600a refrigerant (Non-ammonia coolant)
- Vibration free silent operation
- Zero degree peltier cooling
- Refrigerator temp 6 to 8°C
- Interior LED light
- 65 watt - 220-240V ~ 50-60Hz
- Insulation: Cyclopentane
- Integrated door lock with 2 keys
- Adjustable shelving and door storage
- Left & Right opening options
- Can accommodate a 1L bottle of water or wine
- Fully Certified & CE Marked



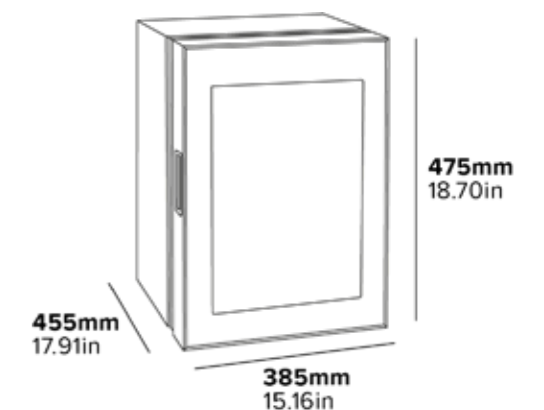
ETON 35L GLASS DOOR MINIBAR



LEFT OR RIGHT OPENING
FLEXIBLE USE



ADJUSTABLE SHELVES
FOR LARGER ITEMS



- No Compressor or CFC's
- Low-e glass door with A+ energy efficiency rating
- R600a refrigerant (Non-ammonia coolant)
- Vibration free silent operation
- Zero degree peltier cooling
- Refrigerator temp 6 to 8°C
- Interior LED light
- 65 watt - 220-240V ~ 50-60Hz
- Insulation: Cyclopentane
- Adjustable shelving
- Left & Right opening options
- Can accommodate a 1L bottle of water or wine
- Fully Certified & CE Marked

WESTMINSTER DIGITAL LAPTOP SAFE



INTERIOR LIGHT
INSTANT ON



SOLID STEEL BOLTS
EXTRA SECURE



DIGITAL DISPLAY
EASY TO READ



MANAGEMENT ACCESS
VIA FRONT CONNECTION



CARPETED INTERIOR
CUSHIONED BASE

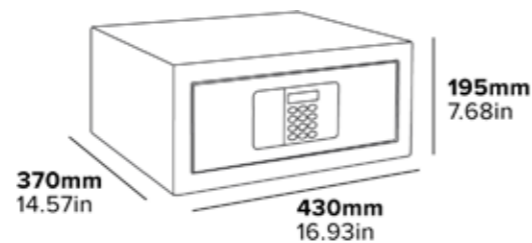


CEU DEVICE COMPATIBLE
UNLOCKS ADDITIONAL
FUNCTIONS (SOLD
SEPARATELY)

- Electronic locking mechanism with spring loaded door
- User passwords for guests to open
- Password entry instructions on door
- Back up power pack with 4 x AA Batteries and 2 x back up keys
- Carpeted interior
- Steel body with textured black finish
- Interior light
- Solid steel locking bolts
- Includes full operating instructions
- Internal dimensions: H 180 W 420 D 320 mm
- Aperture: H130 W345 mm

With Computerised Emergency Unit (Sold separately)

- Set safe master pass-code, date & time
- Read safe access records (Max 125)
- Set interior lamp
- Connect to PC



BRIGHTON TORCH



BLACK FINISH
DARK AND STYLISH



CHROME CAP



INTERNAL REFLECTOR
BETTER PERFORMANCE



INSTANT ON
WHEN REMOVED

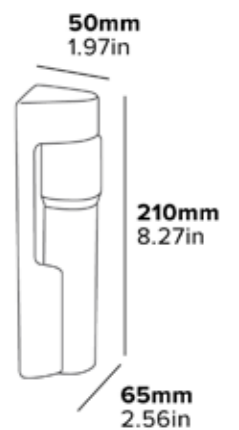


HIDDEN FIXINGS
ANTI-THEFT



GLOW IN THE DARK ICON
EASY FINDING

- Battery powered emergency torch
- Anti-theft design
- Switches on automatically when removed from holder
- Wall mountable
- Glow in the dark icon
- Requires 2x D 1.5V batteries (not included)
- 2.4V / 0.75A light bulb



THORNTON 7L DOUBLE LAYER BIN

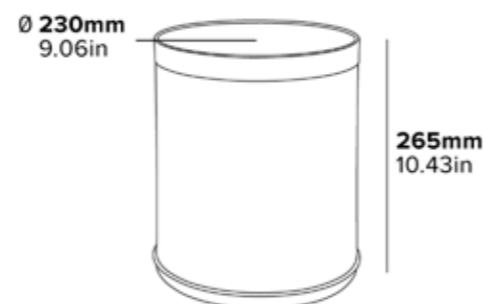


TEXTURED BLACK FINISH
BRUSHED STEEL COLLAR

BRUSHED STEEL FINISH
CHROME COLLAR

WHITE GLOSS FINISH
BRUSHED STEEL COLLAR

- 7 litre volume
- Designed to conceal bin liners
- Available in a range of finishes
- Durable construction
- Rubberised floor protecting base
- Steel thickness 0.5mm
- 201 grade stainless steel
- Fire retardant
- Case quantity 6



THORNTON 7L WASTE PAPER BIN



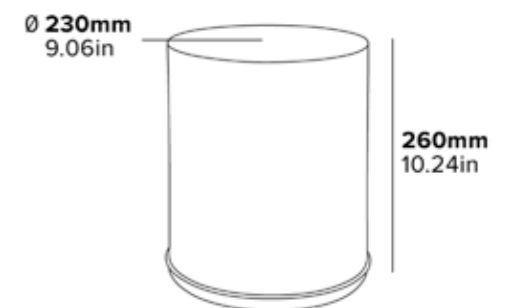
TEXTURED BLACK FINISH

GLOSS WHITE FINISH

CHROME FINISH

BRUSHED STEEL FINISH

- 7 litre volume
- Available in a range of finishes
- Durable construction
- Rubberised floor protecting base
- Steel thickness 0.5mm
- 201 grade stainless steel
- Fire retardant
- Case quantity 6



CROFT 3L & 7L PEDAL BIN



GLOSS BLACK FINISH (3L)



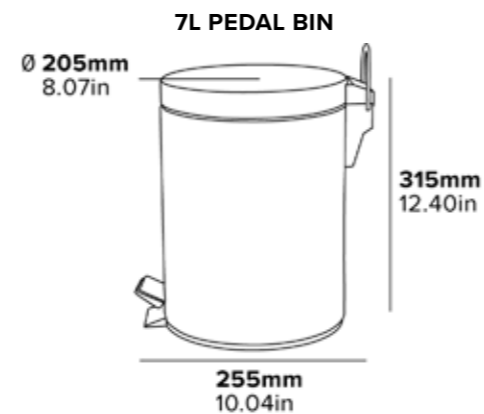
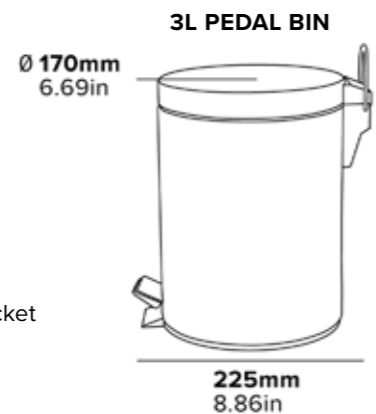
GLOSS WHITE FINISH (3L & 7L)



CHROME FINISH (3L & 7L)



BRUSHED STEEL FINISH (3L & 7L)



- Choice of 3 & 7 litre volumes
- Designed to conceal bin liners
- Grippped pedal
- Easy clean removable plastic bucket
- Durable construction
- 430 grade stainless steel
- Case quantity 6

DEVON CUBE TISSUE BOX HOLDER



TEXTURED BLACK FINISH



GLOSS WHITE FINISH

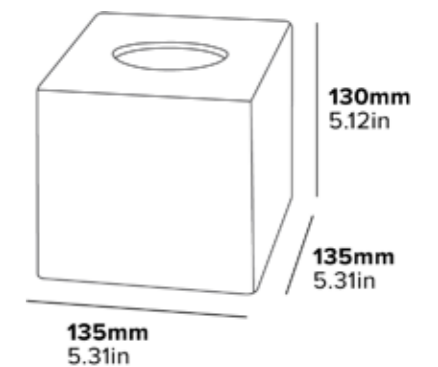


CHROME FINISH



SATIN CHROME FINISH

- Easy to replenish
- Robust ABS plastic construction
- Available in a range of finishes
- Concealed base
- Case quantity 6



DEVON RECTANGULAR TISSUE BOX HOLDER



TEXTURED BLACK FINISH



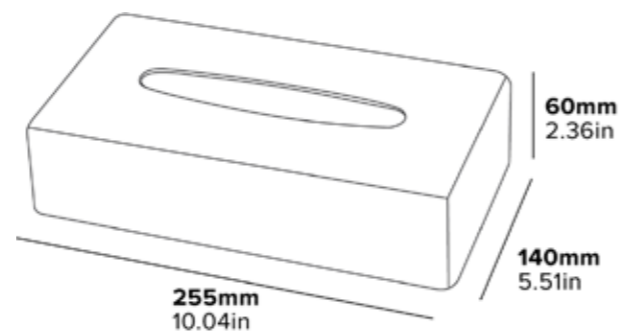
GLOSS WHITE FINISH



CHROME FINISH



SATIN CHROME FINISH

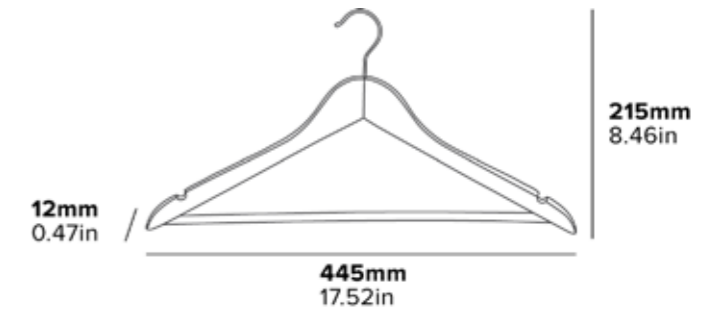


- Easy to replenish
- Robust ABS plastic construction
- Available in a range of finishes
- Concealed base
- Wall mountable
- Supplied with screws, wall plugs & adhesive strips
- Case quantity 6

CHELSEA GUEST HANGERS



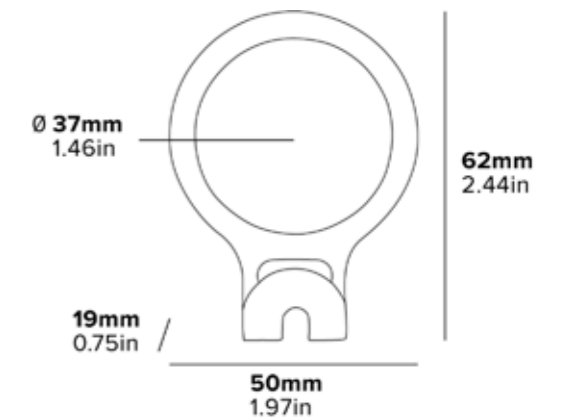
- Integrated trouser bar
- Metal security pin or hook
- Beech solid wood
- Metal ring attachment sold separately
- Case quantity 40



CHELSEA METAL RING ATTACHMENTS



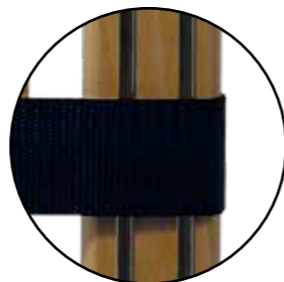
- Security pin rail ring
- Each ring is supplied in a resealable clear bag
- Case quantity 50



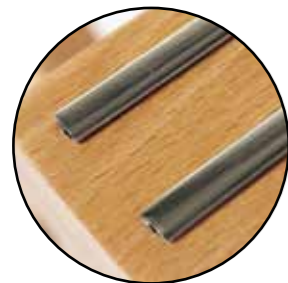
YORK WOODEN LUGGAGE RACK



CHOICE OF COLOUR
BEECH OR MAHOGANY



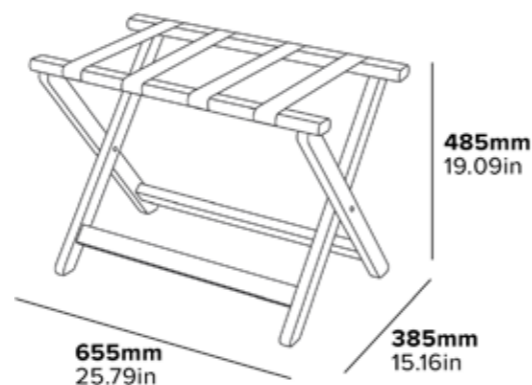
NYLON STRAPS
EASY TO FOLD



CHROME INLAYS
PREVENTS SCRATCHES



STRONG CONSTRUCTION
HOLDS UP TO 50KG



- Available in Beech or Mahogany
- Nylon straps x 4
- Chrome inlays
- Holds up to 50kg
- Folds flat for easy storage

ASHTON METAL LUGGAGE RACK - WITH BACK



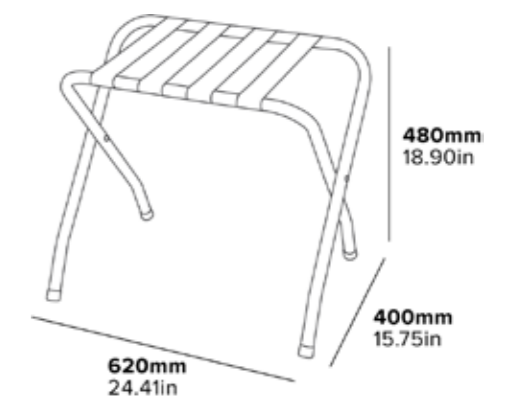
- Tubular steel construction with nylon straps
- Black or chrome finish
- Integrated wall protector
- Holds up to 50kg
- Folds flat for easy storage



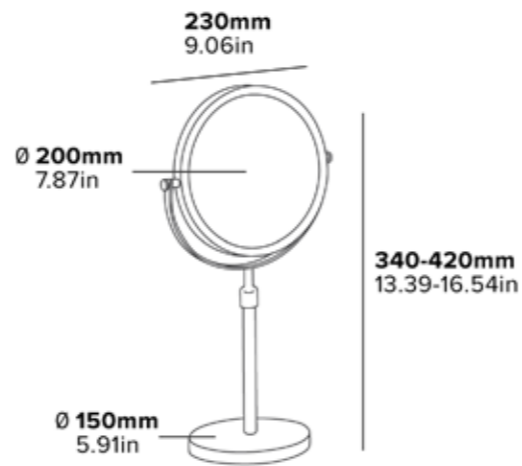
ASHTON METAL LUGGAGE RACK - NO BACK



- Tubular steel construction with nylon straps
- Black or chrome finish
- Holds up to 50kg
- Folds flat for easy storage

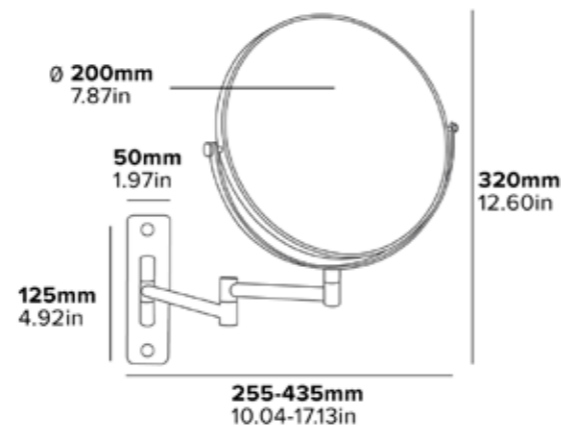


WINCHESTER FREE STANDING MIRRORS



- Chrome finish
- Illuminated and non-illuminated options
- Regular magnification and x5 magnification (double sided)
- Extend, tilt and rotate into position
- Battery operated, 4min auto cut-off (illuminated only)
- Batteries included

WINCHESTER WALL MOUNTED MIRRORS



- Chrome finish
- Illuminated and non-illuminated options
- Regular magnification and x5 magnification (double sided)
- Extend, tilt, rotate and swivel into position
- Folds flat to wall when not in use
- Fixings + batteries pack included
- Battery operated, 4min auto cut-off (illuminated only)

KENT HYGIENE BAG DISPENSER



GLOSS WHITE FINISH

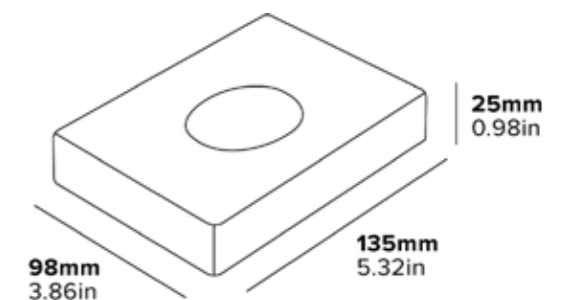


CHROME FINISH



SATIN CHROME FINISH

- Easy to replenish
- Robust ABS plastic construction
- Available in a range of finishes
- Concealed base
- Wall mountable
- Supplied with screws, wall plugs & adhesive strips
- Case quantity 6



LINCOLN TOILET BRUSH

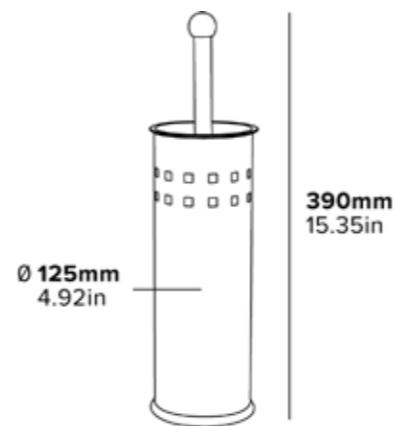


CHROME FINISH
FREE STANDING

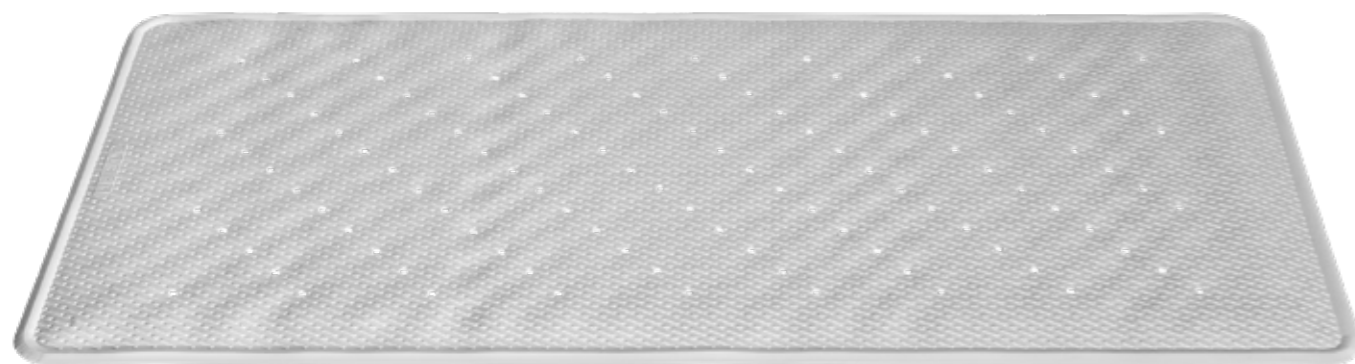
WHITE FINISH
FREE STANDING

CHROME FINISH
WALL MOUNTED

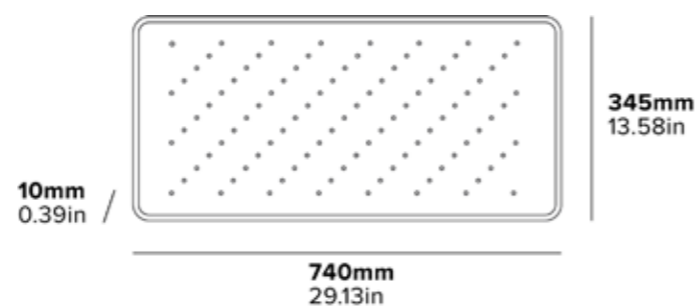
- Stainless steel construction
- Choice of chrome or white finish
- Chrome Finish for wall mounted only
- Removable internal disinfectant container
- Stylish brush handle
- Fixings pack included (Wall Mounted Only)
- Case quantity 6



DOVER BATH & SHOWER MAT



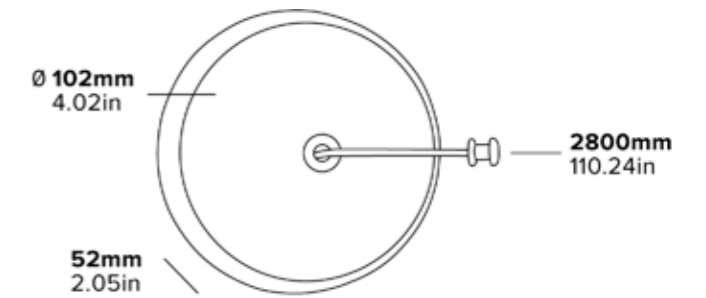
- Textured rubber
- Anti-slip suction pads
- Case quantity 25



HAMILTON RETRACTABLE CLOTHES LINE



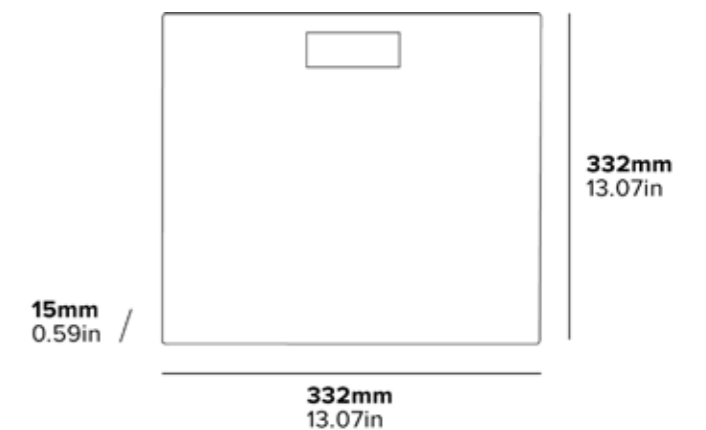
- Robust plastic construction
- Wall mounted
- Retractable 2.8 metre nylon line
- Fixings included
- Case quantity 5



HELMSLEY DIGITAL BATHROOM SCALES



- Digital display
- Slim-line glass design
- Imperial and metric weight settings (kg or lb or st)
- Rubber feet
- 150Kg Maximum weight capacity
- Battery included

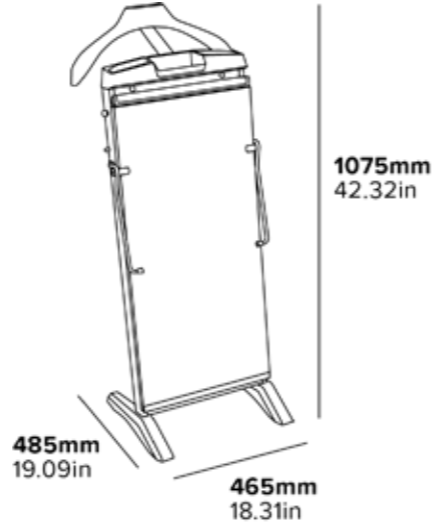




CORBY EXECUTIVE TROUSER PRESS



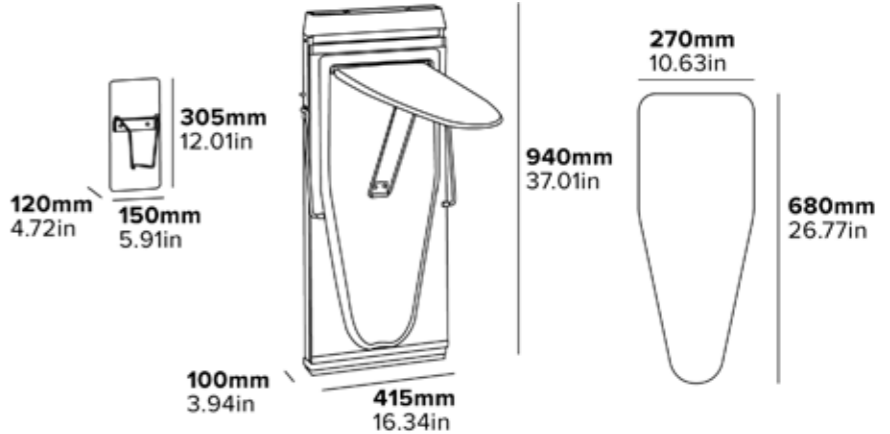
- Free standing or wall mounted
- 15, 30 & 45 minute timer
- Thermostat with manual cancel option
- LED countdown display
- Automatic cut off
- Chrome tie bar & arms
- Coin tray, feet, jacket hanger and bracket
- Wall mounted fixings included
- 210W 220-240V ~ 50-60Hz
- Fully Certified & CE Marked
- Available in gloss black



CORBY 6600 TROUSER PRESS



- Fold out ironing board
- Hard wired iron
- 15 minute timer
- Thermostat
- Manual cancel option
- Automatic cut off
- Coin tray
- Wall mounted fixings included
- 210W 220-240V ~ 50-60Hz
- Fully Certified & CE Marked
- Available in beech, black ash, mahogany, maple, oak, satin chrome, walnut, white



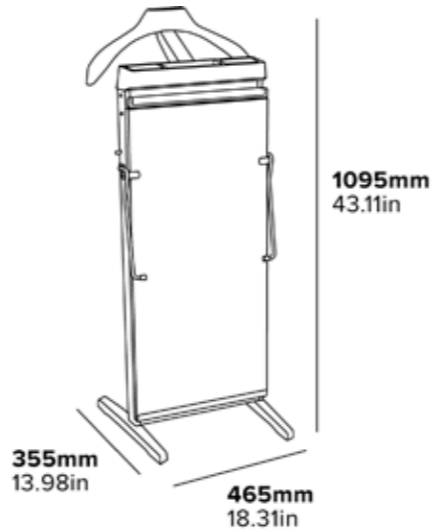
- Choice of irons available, see p14:
- Sherwood 1200W Steam Iron - White
 - Sherwood 1200W Dry Iron - White



CORBY 7700 TROUSER PRESS



- Free standing or wall mounted
- 15, 30 & 45 minute timer
- Thermostat with manual cancel option
- Automatic cut off
- LED countdown timer
- Coin tray, jacket hanger and bracket
- 210W 220-240V ~ 50-60Hz
- Fully Certified & CE Marked
- Available in beech, black ash, mahogany, maple, oak, satin chrome, walnut, white

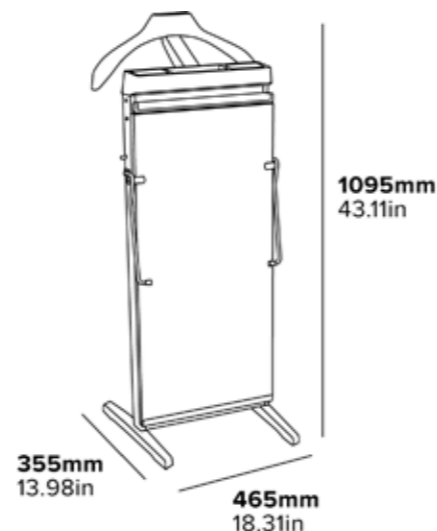


3 YEAR **★★**
ELECTRICAL
GUARANTEE

CORBY 4400 TROUSER PRESS



- Free standing or wall mounted
- 15 & 30 minute timer
- Thermostat with manual cancel option
- Automatic cut off
- Coin tray, jacket hanger and bracket
- Wall mounted fixings included
- 210W 220-240V ~ 50-60Hz
- Fully Certified & CE Marked
- Available in beech, black ash, mahogany, maple, oak, satin chrome, walnut, white

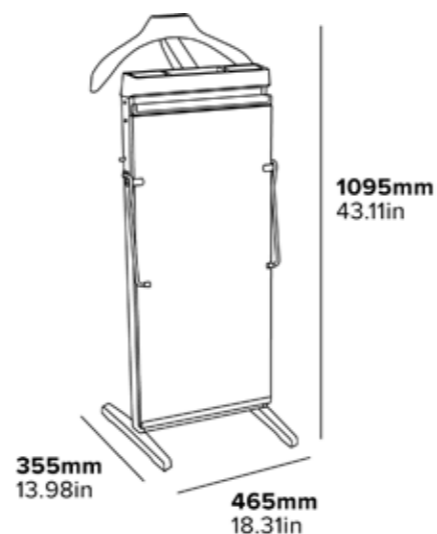


3 YEAR **★★**
ELECTRICAL
GUARANTEE

CORBY 3300 TROUSER PRESS



- Free standing or wall mounted
- 30 minute timer
- Thermostat with manual cancel option
- Automatic cut off
- Coin tray, jacket hanger and bracket
- Wall mounted fixings included
- 210W 220-240V ~ 50-60Hz
- Fully Certified & CE Marked
- Available in beech, black ash, mahogany, maple, oak, satin chrome, walnut, white



CORBY. A CULTURE OF EXCELLENCE.



PRODUCT - INNOVATION IN OUR DNA

Products bearing the Corby of Windsor seal are designed in-house and rigorously tested to international standards. Our commitment to impeccable design cements our position as a leading supplier of guestroom products for the hospitality industry.

Throughout the development process, our team works closely with international hoteliers and distributors to ensure their specific requirements are met, including any additional safety standards and inbuilt anti-theft measures.



PRODUCTION - QUALITY WITH EVERY STEP

What makes Corby of Windsor so special is the ability to utilise a comprehensive network. By leveraging our wholly-owned Chinese factory, we have complete control of the supply chain, from raw material to finished product.

Through the Corby quality programme, every component is inspected and tested at each stage of the manufacturing process, eliminating defects and in turn maintaining the high standards which we set for ourselves.



PRIDE - A CULTURE OF DISTINCTION

The calibre of Corby of Windsor's international clientele - including leading industry brands such as Hilton, Marriott and Intercontinental - amply demonstrates the impressive reputation established by our brand and is testament to the exemplary merit of both our products and service.

We have one goal - to create the very best products specifically tailored for the hospitality industry. Our diligence guarantees to fulfil the promise of remarkable quality expected of our brand. Our unique relationship with the hotels we service expresses a continual flow of ideas into the market; like our customers, we will settle for nothing less than exceptional.



BUYING FROM US

OUR PROPOSITION

We understand that who you purchase from is just as important as the product. At Corby of Windsor we offer a transparent service where you know exactly what to expect.

WHAT WE DO...

- ✓ ...design products for hotel use
- ✓ ...manufacture products
- ✓ ...hold stock in Asia, Europe, USA
- ✓ ...ensure compliance
- ✓ ...own our supply chain
- ✓ ...offer best value over a products life
- ✓ ...provide a 3 year guarantee on electricals
- ✓ ...provide UK based ground support

WHAT WE DO NOT DO...

- ✗ ...offer domestic/unsuitable goods
- ✗ ...gamble on market stock
- ✗ ...make promises we cannot keep
- ✗ ...gamble on quality/reputation
- ✗ ...rely on intermediaries
- ✗ ...seek out a quick win
- ✗ ...hope it works out
- ✗ ...leave you to it