

BIRDCAGE LUGGAGE CART

FEATURES, ADVANTAGES AND BENEFITS

Unique Design
All parts for Birdcage® carts are designed to be replaceable

Hanger Retainers
Welded retaining fingers secure hanging items

Heavy Duty Hanger Bars
Extra thick gauge tube with reinforced welds offer a high capacity hanger bar

Reinforced Steel Sockets
Secures superstructure to base



WHO WE ARE...

Forbes is at the forefront of its industry and our philosophy is to provide the hospitality and foodservice industries with products that not only look great, but include labor saving features, enhanced safety and designs for long term use and increased profitability. Our products offer value-for-money advantages that are not available from any other manufacturer.

Forbes Industries is the world's leading manufacturer of Hotel and Restaurant Service Equipment. The company was founded in 1919 in Los Angeles and currently operates out of a state-of-the art manufacturing facility in Ontario, California. In 2008, Forbes Industries Asia was established in Singapore to oversee the growing Asia Pacific markets.

Products are manufactured in Asia and sold under the Forbes Asia Brand. We strive to provide good quality at a reasonable price for our Asian Partners. Currently these products are not sold by Forbes Industries in non-Asian trading areas.

OUR CLIENTS

ASEAN

ASCOTT RESIDENCE TRUST, SINGAPORE
AYANA BALI
BEAUFORT, SINGAPORE
CARLTON HOTEL SINGAPORE
CONCORDE HOTEL SINGAPORE
CONRAD CENTENNIAL SINGAPORE
COSTA SANDS RESORT DOWNTOWN EAST, SINGAPORE
CROWNE PLAZA CHANGI AIRPORT, SINGAPORE
DARBY PARK EXECUTIVE SUITES, SINGAPORE
DISCOVERY KARTIKA PLAZA, INDONESIA
DUSIT HOTEL NIKKO, MANILA
EDSA SHANGRI-LA MANILA
FAIRMONT SINGAPORE
FOUR SEASONS HOTEL, SINGAPORE
FULLERTON BAY HOTEL
FURAMA RIVERFRONT, SINGAPORE
GRAND COPTHORNE WATERFRONT HOTEL, SINGAPORE
GRAND HYATT SINGAPORE
HILTON P.J.
HILTON SINGAPORE
HOLIDAY INN CLARK FIELD, PHILIPPINES
HOLIDAY INN PARK VIEW SINGAPORE
HOTEL INTERCONTINENTAL MANILA
INTERCONTINENTAL SINGAPORE
LE MERIDIEN SINGAPORE
MAKATI SHANGRI-LA HOTEL & RESORTS INC.
MANDARIN ORIENTAL SINGAPORE
MANDARIN ORIENTAL MANILA
MANILA DIAMOND HOTEL
MANILA HOTEL
MARCO POLO DAVAO, PHILIPPINES
MARINA BAY SANDS
MARINA MANDARIN SINGAPORE
MARRIOTT JAKARTA
MARRIOTT SINGAPORE
MAXIMS HOTEL, PHILIPPINES
MERITUS MANDARIN SINGAPORE
MOUNT ELIZABETH HOSPITAL, SINGAPORE
NEW WORLD RENAISSANCE HOTEL, MANILA
NOVOTEL CLARKE QUAY, SINGAPORE
ORCHARD HOTEL SINGAPORE
ORCHID COUNTRY CLUB, SINGAPORE
OAKWOOD PREMIERE SERVICE APARTMENTS (AYALA HOTELS INC.), NOW ASCOTT MAKATI
PAN PACIFIC K.L.
PAN PACIFIC SERVICED SUITES, SINGAPORE
PAN PACIFIC SINGAPORE
PARK HOTEL CITY HALL, SINGAPORE
PARKROYAL, SINGAPORE
RAFFLES HOTEL SINGAPORE
RASA SENTOSA, SINGAPORE
REGENT SINGAPORE

RENDEZVOUS HOTEL, SINGAPORE
RESORTS WORLD MANILA
RESORTS WORLD SENTOSA, SINGAPORE
RITZ CARLTON JAKARTA
RITZ-CARLTON MILLENIA, SINGAPORE
ROYAL PLAZA ON SCOTTS, SINGAPORE
SEDONA HOTELS INTERNATIONAL PTE LTD
SENTOSA RESORT & SPA, SINGAPORE
SHANGRI-LA CHIANG MAI, THAILAND
SHANGRI-LA HOTEL SINGAPORE
SHANGRI-LA MACTAN ISLAND RESORTS
SHERATON TOWERS SINGAPORE
ST REGIS SINGAPORE
SWISSOTEL MERCHANT COURT, SINGAPORE
SWISSOTEL THE STAMFORD, SINGAPORE
THE FULLERTON HOTEL, SINGAPORE
THE PENINSULA MANILA HOTEL
THE LAGUNA, INDONESIA
THE LEGENDS FORT CANNING PARK PTE LTD
THE SCARLET HOTEL PTE LTD, SINGAPORE
THOMSON MEDICAL CENTRE, SINGAPORE
TRADERS HOTEL, SINGAPORE
WESTIN BALI
WESTIN PHILIPPINE PLAZA HOTEL, now SOFITEL PHIL. PLAZA HOTEL

SOUTH ASIA

BANDOS ISLAND RESORT & SPA
FOUR SEASONS RESORT MALDIVES, KUDA HURA
HYATT REGENCY PUNE
LE MERIDIEN TAIPEI
TAJ GREEN COVE RESORT, INDIA
TAJ GOA, INDIA
TAJ LANDS END, MUMBAI
TAJ PALACE HOTEL, DELHI

GREATER CHINA

CHINA

CHINA WORLD HOTEL, BEIJING
FOUR SEASONS BEIJING RESIDENCES
FOUR SEASONS GUANGZHOU
JOCKEY CLUB BEIJING
PENINSULA SHANGHAI
RITZ CARLTON PUDONG, SHANGHAI
SHANGRI-LAI PUDONG

MACAU

CROWN MACAU
GRAND HYATT MACAU
MGM MACAU
MANDARIN ORIENTAL MACAU

HONG KONG

CROWNE PLAZA HONG KONG

COSMOPOLITAN HOTEL
DISNEYLAND HONG KONG
FOUR SEASONS HONG KONG
GATEWAY HOTEL
HARBOUR PLAZA 8 DEGREES, HONG KONG
HARBOUR PLAZA METROPOLIS
HARD ROCK CAFE HONG KONG
HONG KONG CLUB
HONG KONG GOLF CLUB
HOTEL LISBOA, HONG KONG
INTERCONTINENTAL HONG KONG
INTERCONTINENTAL GRAND STANFORD HONG KONG
PENINSULA HONG KONG
RITZ CARLTON HONG KONG
LANGHAM HOTEL, HONG KONG
MANDARIN ORIENTAL, HONG KONG
THE MIRA HOTEL, HONG KONG

MIDDLE EAST

AL MUROOJ ROTANA, UAE
AL RAWDA ROTANA, UAE
AL-ATTAS HOTEL JEDDAH, SAUDI ARABIA
AMWAJ ROTANA, UAE
ATLANTIS THE PALM HOTEL, DUBAI
BEACH ROTANA HOTEL & TOWERS, ABU DHABI
CARAVANSERAI DESERT HOTEL, ABU DHABI
CENTRO HOTEL, DUBAI
CROWNE PLAZA, DUBAI
DUBAI MARINA MALL HOTEL
DUSIT RESIDENCE DUBAI MARINA, DUBAI
FAIRMONT HOTEL, ABU DHABI
FOUR POINTS SHERATON DOWNTOWN, UAE
GRAND HYATT DOHA, QATAR
GRAND REGENCY HOTEL, DOHA
HARBOUR HOTEL DUBAI
HOLIDAY INN IZDIHAR HOTEL, SAUDI ARABIA
INTER-CONTINENTAL, LEBANON
JAL FUJAIRAH, UAE
JEBEL ALI GOLF RESORT & SPA HOTEL, DUBAI
KEMPINSKI HOTEL AJMAN
LE ROYAL MERIDIEN ABU DHABI
MEDIA ONE HOTEL DUBAI
MEDIA ROTANA HOTEL, DUBAI
RADISSON HOTEL, UAE
ROTAN HOTEL, ABU DHABI
SANCTUARY PALM COURT HOTEL, UAE
SHERATON DOHA RESORT & CONVENTION HOTEL, DOHA
SHERATON KUWAIT
SOFITEL JUMEIRAH BEACH HOTEL, DUBAI
STAYBRIDGE HOTEL, ABU DHABI
THE PARKER - THE SQUARE MEDIA ONE, DUBAI
THE PARKER-MAZAGAN RESORT, DUBAI
WESTIN MUMBAI GARDEN CITY, INDIA
ZABEEL SARAY THRU CAIRNCROSS MARTIN

FORBES™
Industries Asia

BELLMAN'S EQUIPMENT



FORBES INDUSTRIES ASIA

100 Beach Road #28-05, Shaw Tower, Singapore 189702 Tel: (65) 6295 2262 Fax: (65) 6295 2022 www.forbes-asia.com.sg

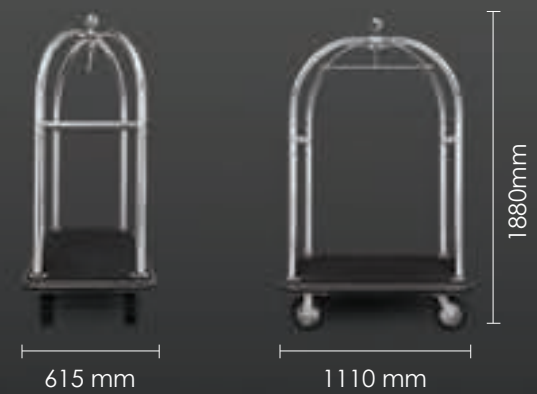
BELLMAN'S EQUIPMENT



**1-FO-2425 PB
BIRDCAGE LUGGAGE CART**

Description
Polished Solid Brass Superstructure,
2 Push Bars, 8" Pneumatic Wheels

Finish
Polished Brass



**1-FO-2525 PS
BIRDCAGE LUGGAGE CART**

Description
Polished Stainless Steel Superstructure,
2 Push Bars, 8" Black Pneumatic Wheels

Finish
Polished Stainless Steel

CHOICE OF COLOURS

BUMPER COLOURS



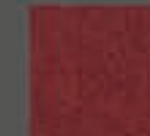
BEIGE



BLACK



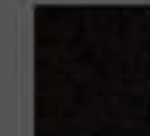
CARPET COLOURS



RED



BURGUNDY



BLACK



GREY

WHEELS



1635 - WB
8" BLACK
Pneumatic Wheel
Finish
Brass Plated



1635 - WC
8" BLACK
Pneumatic Wheel
Finish
Chrome Plated



1641 - W
8" CUSHION
Grey Wheel



1660 - WB
10" BLACK
Pneumatic Wheel
Finish
Brass Plated



1660 - WC
10" BLACK
Pneumatic Wheel
Finish
Chrome Plated



**1-FO-1570 PB
BELLMAN'S HANDTRUCK**

Description
Polished Brass, "Hoop Leg Design",
Wrap-around Carpet Kit, Fold Up Dropnose,
10" black Pneumatic Wheels

Finish
Polished Brass

For Polished Stainless Steel Version,
Order Model 1-FO-1570-PS (See Front Cover)

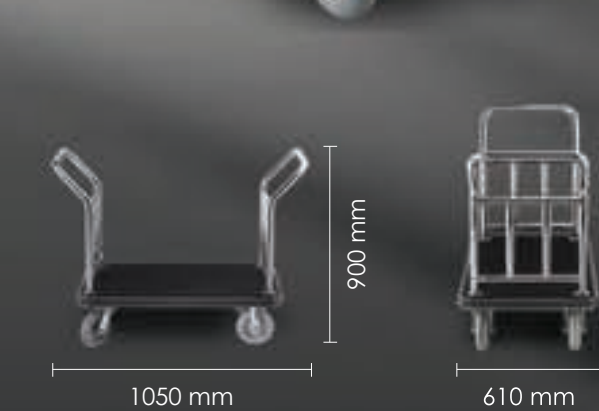


**1-FO-2548 PS
LUGGAGE CART**

Description
Polished Stainless Steel Superstructure, 4
Retaining Bars, Carpeted Deck, 8" Cushion
Grey Wheels

Finish
Polished Stainless Steel

For Brass Version,
Order Model 1-FO-2548-PB



**1-FO-2575 PS
LUGGAGE PLATFORM TRUCK**

Description
2 Polished Stainless Steel Handles, 4 Vertical
Retaining Bars, Carpeted Deck, Full Wrap-
around Bumper, 8" Cushion Grey Wheels

Finish
Polished Stainless Steel

For Brass Version,
Order Model, 1-FO-2575-PB