

FORBES' SELECTED LIST OF CLIENTELE

ASEAN

ADONIS
ASCOTT RESIDENCE TRUST, SINGAPORE
AYANA BALI
BEAUFORT, SINGAPORE
BIG HOTEL SINGAPORE
CARLTON HOTEL SINGAPORE
CONCORDE HOTEL SINGAPORE
CONRAD CENTENNIAL SINGAPORE
COSTA SANDS RESORT DOWNTOWN EAST, SINGAPORE
CROWNE PLAZA CHANGI AIRPORT, SINGAPORE
DARBY PARK EXECUTIVE SUITES, SINGAPORE
DEVELOPMENT BANK OF SINGAPORE
DISCOVERY KARTIKA PLAZA, INDONESIA
DORSETT SINGAPORE
DUSIT HOTEL NIKKO, MANILA
EDSA SHANGRIHA MANILA
ELIZABETH HOTEL SINGAPORE
FAIRMONT SINGAPORE
FOUR SEASONS HOTEL, SINGAPORE
FULLERTON BAY HOTEL, SINGAPORE
FURAMA RIVERFRONT, SINGAPORE
GALLERY HOTEL SINGAPORE
GOODWOOD PARK SINGAPORE
GRAND COPTHORNE WATERFRONT HOTEL, SINGAPORE
GRAND HYATT SINGAPORE
GRAND MERCURE ROXY SINGAPORE
HILTON P.J.
HILTON SINGAPORE
HOLIDAY INN CLARK FIELD, PHILIPPINES
HOLIDAY INN PARK VIEW SINGAPORE
HOTEL INTERCONTINENTAL MANILA
HOTEL ROYAL @ QUEENS
INTERCONTINENTAL SINGAPORE
LE MERIDIEN SINGAPORE
MAKATI SHANGRIHA HOTEL & RESORT INC.
MANDARIN ORIENTAL SINGAPORE
MANDARIN ORIENTAL MANILA
MANILA DIAMOND HOTEL
MANILA HOTEL
MARCO POLO DAVAO, PHILIPPINES
MARINA BAY SANDS
MARINA MANDARIN SINGAPORE
MARRIOTT JAKARTA
MARRIOTT SINGAPORE
MAXIMS HOTEL, PHILIPPINES
MERITUS MANDARIN SINGAPORE
MOUNT ELIZABETH HOSPITAL, SINGAPORE
NEW WORLD RENAISSANCE HOTEL, MANILA
NOVOTEL CLARKE QUAY, SINGAPORE
ORCHARD HOTEL, SINGAPORE
ORCHIRD COUNTRY CLUB, SINGAPORE
OAKWOOD PREMIERE SERVICE
ONE FARRER HOTEL & SPA SINGAPORE
APARTMENTS (AYALA HOTELS INC.), NOW ASCOTT MAKATI
PAN PACIFIC K.L.
PAN PACIFIC SERVICED SUITES, SINGAPORE
PAN PACIFIC SINGAPORE
PARK HOTEL CITY HALL, SINGAPORE
PARK REGIS SINGAPORE
PARKROYAL, SINGAPORE
PARKWAY HOSPITALS SINGAPORE PTE LTD
RAFFLES HOTEL SINGAPORE
RAMADA SINGAPORE
RASA SENTOSA, SINGAPORE

REGENT SINGAPORE
RENDEZVOUS HOTEL, SINGAPORE
RESORTS WORLD MANILA
RESORTS WORLD SENTOSA, SINGAPORE
RITZ CARLTON JAKARTA
RITZ-CARLTON MILLENIA, SINGAPORE
ROYAL PLAZA ON SCOTTS, SINGAPORE
SEDONA HOTELS INTERNATIONAL PTE LTD
SENTOSA RESORT & SPA, SINGAPORE
SHANGRIHA CHIANG MAI, THAILAND
SHANGRIHA HOTEL SINGAPORE
SHANGRIHA JAKARTA
SHANGRIHA MACTAN ISLAND RESORTS
SHANGRIHA YANGON
SHERATON TOWERS SINGAPORE
ST REGIS SINGAPORE
SOFITEL SINGAPORE
SWISSOTEL MERCHANT COURT, SINGAPORE
SWISSOTEL THE STAMFORD, SINGAPORE
THE FULLERTON HOTEL, SINGAPORE
THE LAGUNA, INDONESIA
THE MULIA, MULIA RESORT & VILLAS BALI
THE LEGENDS FORT CANNING PARK PTE LTD
THE PENINSULA MANILA HOTEL
THE SCARLET HOTEL PTE LTD, SINGAPORE
THOMSON MEDICAL CENTRE, SINGAPORE
THYE HUA KWAN HOSPITAL
TIMES SQUARE HOTEL VIETNAM
TRADERS HOTEL, SINGAPORE
WANGZ SINGAPORE
WESTIN BALI
WESTIN PHILIPPINE PLAZA HOTEL, NOW SOFITEL PHIL. PLAZA HOTEL
WESTIN SINGAPORE

SOUTH ASIA

BANDOS ISLAND RESORT & SPA
BARMHACORP HOTELS AND RESORTS INDIA
FOUR SEASONS RESORT MALDIVES, KUDA HURAA
HYATT REGENCY INCHEON
HYATT REGENCY PUNE
LE MERIDIEN TAPEI
SHANGRIHA TAPEI
TAJ GREEN COVE RESORT, INDIA
TAJ GOA, INDIA
TAJ LANDS END, MUMBAI
TAJ PALACE HOTEL, DELPHI

GREATER CHINA

CHINA

CHINA WORLD HOTEL, BEIJING
FOUR SEASONS BEIJING RESIDENCES
FOUR SEASONS GUANGZHOU
JOCKEY CLUB BEIJING
PENINSULA SHANGHAI
RITZ CARLTON PUDONG, SHANGHAI
SHANGRIHA PUDONG

MACAU

CROWN MACAU
GRAND HYATT MACAU
MGM MACAU
MANDARIN ORIENTAL MACAU

HONG KONG

CROWNE PLAZA HONG KONG

COSMOPOLITAN HOTEL
DISNEYLAND HONG KONG
FOUR SEASONS HONG KONG
GATEWAY HOTEL
HARBOUR PLAZA 8 DEGREES, HONG KONG
HARBOUR PLAZA METROPOLIS
HARD ROCK CAFE HONG KONG
HONG KONG CLUB
HONG KONG GOLF CLUB
HOTEL LISBOA, HONG KONG
INTERCONTINENTAL HONG KONG
INTERCONTINENTAL GRAND STANFORD HONG KONG
KOWLOON SHANGRIHA, HONG KONG
PENINSULA HONG KONG
RITZ CARLTON HONG KONG
LANGHAM HOTEL, HONG KONG
MANDARIN ORIENTAL, HONG KONG
THE MIRA HOTEL, HONG KONG

PACIFICS

PACIFIC ISLANDS CLUB, SAIPAN

MIDDLE EAST

AL MUROOJ ROTANA, UAE
AL RAWDA ROTANA, UAE
ALATTAS HOTEL JEDDAH, SAUDI ARABIA
AMWAI ROTANA, UAE
ATLANTIS THE PALM HOTEL, DUBAI
BEACH ROTANA HOTEL & TOWERS, ABU DHABI
CARAVANSERAI DESERT HOTEL, ABU DHABI
CENTRO HOTEL, DUBAI
CROWNE PLAZA, DUBAI
DUBAI MARINA MALL HOTEL
DUSIT RESIDENCE DUBAI MARINA, DUBAI
FAIRMONT HOTEL, ABU DHABI
FOUR POINTS SHERATON DOWNTOWN, UAE
GRAND HYATT DOHA, QATAR
GRAND REGENCY HOTEL, DOHA
HARBOUR HOTEL DUBAI
HOLIDAY INN IZDIHAR HOTEL, SAUDI ARABIA
INTER-CONTINENTAL, LEBANON
JAL FUJAIRAH, UAE
JEBEL ALI GOLF RESORT & SPA HOTEL, DUBAI
KEMPINSKI HOTEL AJMAN
LE ROYAL MERIDIEN ABU DHABI
MEDIA ONE HOTEL DUBAI
MEDIA ROTANA HOTEL, DUBAI
RADISSON HOTEL, UAE
ROTAN HOTEL, ABU DHABI
SANCTUARY PALM COURT HOTEL, UAE
SHERATON DOHA RESORT & CONVENTION HOTEL, DOHA
SHERATON KUWAIT
SOFITEL JUMEIRAH BEACH HOTEL, DUBAI
STAYBRIDGE HOTEL, ABU DHABI
THE PARKER - THE SQUARE MEDIA ONE, DUBAI
THE PARKER - MAZAGAN RESORT, DUBAI
WESTIN MUMBAI GARDEN CITY, INDIA
ZABEEL SARAY THRU CAIRNCROSS MARTIN

AFRICA

INTERCONTINENTAL HOTEL MAURITIUS
MAZAGAN RESORT, MOROCCO
RESORT CO SA, MOROCCO

FORBES™
Industries Asia

CONTEMPORARY BELLMAN EQUIPMENT

Stylish, Compact and Functional



FORBES INDUSTRIES ASIA

100 Beach Road #28-05, Shaw Tower, Singapore 189702 Tel: (65) 6295 2262 Fax: (65) 6295 2022 www.forbes-asia.com.sg

©2015 Forbes Industries Asia Pte Ltd

REFRESHING LOOKS

Stylishly designed to match today's concierge environment, Forbes' contemporary series luggage handling equipment is unique and yet functional. Its slim-line look exudes a sense of contemporary feel suited to both deluxe and boutique hotels.

LUGGAGE CART 6-FO-K378

The K378 is made of high quality deviating from the steel deck and tubular frame. Instead of the commonly used round tubing seen in most luggage handling carts, K378 uses square tubes to create a unique and yet practical cart that is both user-friendly and space saving.

K378 series is available in various powder coated steel finish, brushed stainless steel finish or powder coated stainless steel finish. For aesthetic application, there are more than 15 colours to choose from.



Silver

Dimensions, Weight and Volume

Height	1906 mm	Volume	1.4 m ³
Width	1060 mm	Weight	68 kg
Depth	674 mm		

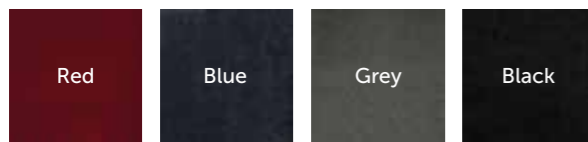
Capacity

Maximum Load (Weight)	500 kg
------------------------------	--------

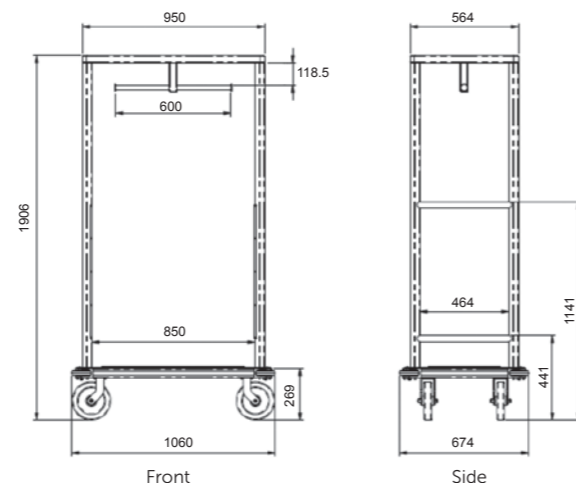
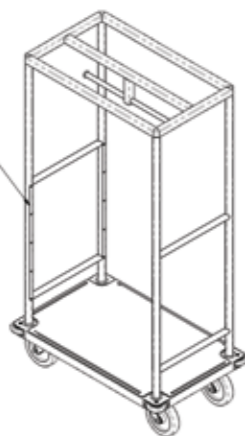


Black

Carpet Colour Options



SCRATCH PROTECTIONS



Front

Side

SELF-SERVICE CART 6-FO-K370

The tubular frame of the K370 series is made of high quality and enhanced 1.5" steel tubes. Ergonomically structured, K370 is designed for bellmen as well as staying guests who could easily and effortlessly roll the cart across the concierge, into the elevator and onto the floor corridor.

Not only is K370 a user-friendly bellman device, it is also an appealing and yet effective self-service cart at staying guests' disposal. The structure of the cart is also designed for maximum number of carts to be nested in a small area. This space-saving feature enables more carts to be deployed for speedier clearance and conveyance of luggage to the rooms during peak hours of guest checking in.

K370 series is available in various powder coated steel finish, brushed stainless steel finish and powder coated stainless steel finish. For aesthetic application, there are more than 15 colours to choose from.



Silver



Black



Brown

Dimensions, Weight and Volume

Height	1052 mm	Volume	0.30 m ³
Width	482 mm	Weight	16.5 kg
Depth	532 mm		

Capacity

Maximum Load (Weight)	300 kg
------------------------------	--------



Front

Side

Top

Choice of Colours

Product Code: Red Smooth Colour No: RAL 3001	Product Code: Blue Smooth Colour No: RAL 5015	Product Code: Dark Grey Colour No: RAL 7011	Product Code: Brown Colour No: RAL 8028 fine
Product Code: Green PE7007 Colour No: RAL 6018	Product Code: Grey Smooth Colour No: RAL 7035	Product Code: Black Texture Colour No: RAL 7000	Product Code: Leather Colour No: Gray Code: #462/11
Product Code: Silver PE7285 Colour No: RAL 7285	Product Code: Cream PE8118 Colour No: RAL 8188	Product Code: Black Texture Colour No: RAL 7083	Product Code: Leather Colour No: Black Code: #462/1
Product Code: Yellow Smooth Colour No: RAL 1004	Product Code: Black Smooth Colour No: RAL 9005	Product Code: Blue Texture Colour No: RAL 5015	